

Protective collar for EMERGENCY STOP mushroom pushbutton, with and without RONIS lock, 22 mm design, yellow, plastic



| | |
|--|---|
| product brand name | SIRIUS ACT |
| product designation | Protective collar |
| design of the product | for EMERGENCY STOP mushroom pushbuttons without lock or with RONIS lock |
| product type designation | 3SU1 |
| General technical data | |
| protection class IP | IP66, IP67, IP69(IP69K) |
| degree of protection NEMA rating | 1, 2, 3, 3R, 4, 4X, 12 |
| Substance Prohibitance (Date) | 10/01/2014 |
| Weight | 34 g |
| Ambient conditions | |
| ambient temperature | |
| • during storage | -40 ... +80 °C |
| Environmental footprint | |
| Environmental Product Declaration(EPD) | Yes |
| Global Warming Potential [CO2 eq] total | 0.787 kg |
| Global Warming Potential [CO2 eq] during manufacturing | 0.566 kg |
| Global Warming Potential [CO2 eq] during operation | 0.235 kg |
| Global Warming Potential [CO2 eq] after end of life | -0.015 kg |
| Installation/ mounting/ dimensions | |
| height | 58.9 mm |
| width | 74.8 mm |
| depth | 47.5 mm |
| Accessories | |
| material of accessory | Plastic |
| color of accessory | yellow |
| Approvals Certificates | |
| General Product Approval | Test Certificates |



[Confirmation](#)



[Type Test Certificates/Test Report](#)

other

Environment

[Confirmation](#)



Siemens
EcoTech



[Environmental Confirmations](#)

Further information

Information on the packaging

<https://support.industry.siemens.com/cs/ww/en/view/109813875>

Information- and Downloadcenter (Catalogs, Brochures,...)

<https://www.siemens.com/ic10>

Industry Mall (Online ordering system)

<https://mall.industry.siemens.com/mall/en/en/Catalog/product?mlfb=3SU1900-0DY30-0AA0>

Cax online generator

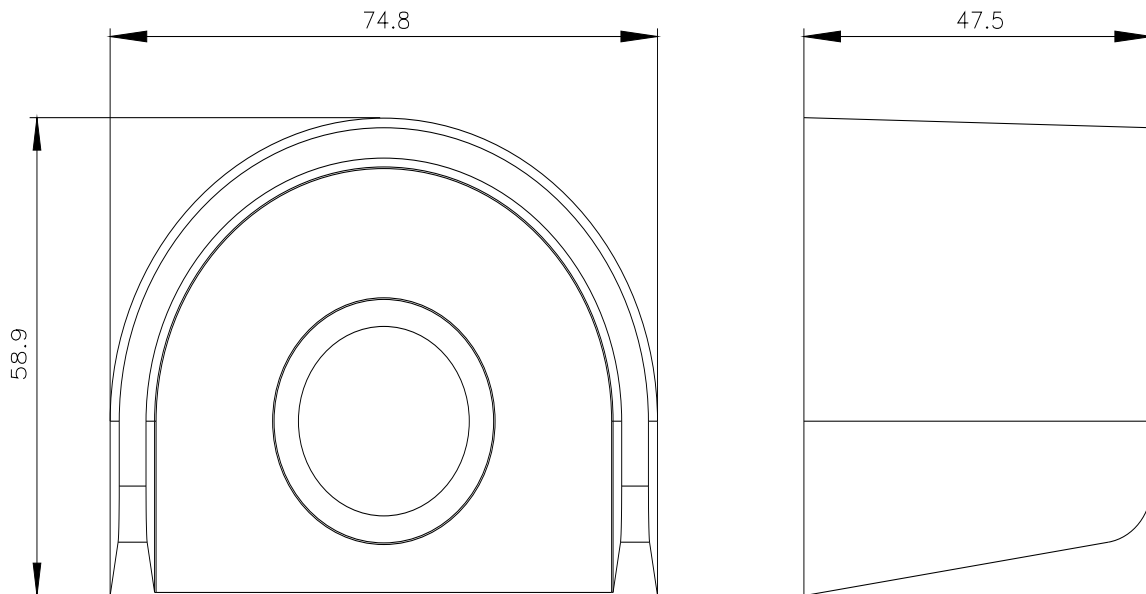
<http://support.automation.siemens.com/WW/CAXorder/default.aspx?lang=en&mlfb=3SU1900-0DY30-0AA0>

Service&Support (Manuals, Certificates, Characteristics, FAQs,...)

<https://support.industry.siemens.com/cs/ww/en/ps/3SU1900-0DY30-0AA0>

Image database (product images, 2D dimension drawings, 3D models, device circuit diagrams, EPLAN macros, ...)

http://www.automation.siemens.com/bilddb/cax_de.aspx?mlfb=3SU1900-0DY30-0AA0&lang=en



last modified:

2/29/2024 