

# Product Datasheet

## Medical Imaging Distribution Boards

Model	SL2-3250-WNNS-B
Description	Split Chassis Distribution Board 2x125 Amp, 3 Pole MCCB With Warning Lights Circuit and Emergency Power Off
Trip Unit	Schneider Micrologic 2.2
Energy Monitoring	No
Earth Leakage Protection (Main Circuit)	No

### Voltage Ratings

$U_n$ (Voltage)	415 V AC
$U_e$ (Operational Voltage)	415 V AC
$U_i$ (Insulation Voltage)	400 V AC
$U_{imp}$ (Impulse Withstand Voltage)	4 kV

### Current Ratings

$I_{nA}$ (Current)	250 A
$I_{nc}$ (Current – Main Circuit)	2x 125 A main circuits via individual MCCB
$I_{nc}$ (Current – Warning Lights Circuit)	16 A
$I_{pk}$ (Peak withstand)	NA
$I_{cw}$ (Short-time withstand)	NA
$I_{cc}$ (Conditional short-circuit current)	10kA RMS

### Other Specifications

Diversity Factor	1
Frequency	50/60 Hz
Other Characteristics	

### Additional Requirements

Pollution Degree	3
Earthing Type	TN-S

<b>D o c</b>	MIDB-001-004
<b>D e s c</b>	Datasheet - Medical Imaging Distribution Boards
<b>M o d e l</b>	SL2-3250-WNNS-B
<b>R e v</b>	A
	12 November, 2024
	P
	1 of 3

Indoor or Outdoor	Indoor
Stationary or Movable	Stationary
Degree of Protection	IP42
Intended for Use	Skilled Persons
Electromagnetic Compatibility Classification	Environment B
Special Service Conditions	Maximum Ambient Air Temperature 35° C
External Design	Wall Mounted Surface Type
Mechanical Impact	IK10
Type of Construction	Fixed Parts
Protection Against Electric Shock	Enclosure openable by key or tool
Overall Dimensions	1,200mm high x 580mm wide x 235mm deep
Weight	65kg
Form of Internal Separation	2b
Types of Electrical Connections of Functional Units	FFF

## Service Conditions

Ambient Air Temperature	Maximum 40°C Short Term Maximum 35°C Average over 24 hours Minimum -25°C
Maximum Altitude	2,000m
Overvoltage Category (IEC 60364-4-44:2007)	Category III

## Short Circuit Protective Device

Mechanism	Protection Description
Schneider ComPacT NSX Moulded Case Circuit Breaker	Reflex (mechanical) tripping for high short-circuit currents, with a maximum break time of 10ms.
TM160D, 160A	Fixed instantaneous protection: cutoff current $I_i = 1,250A$

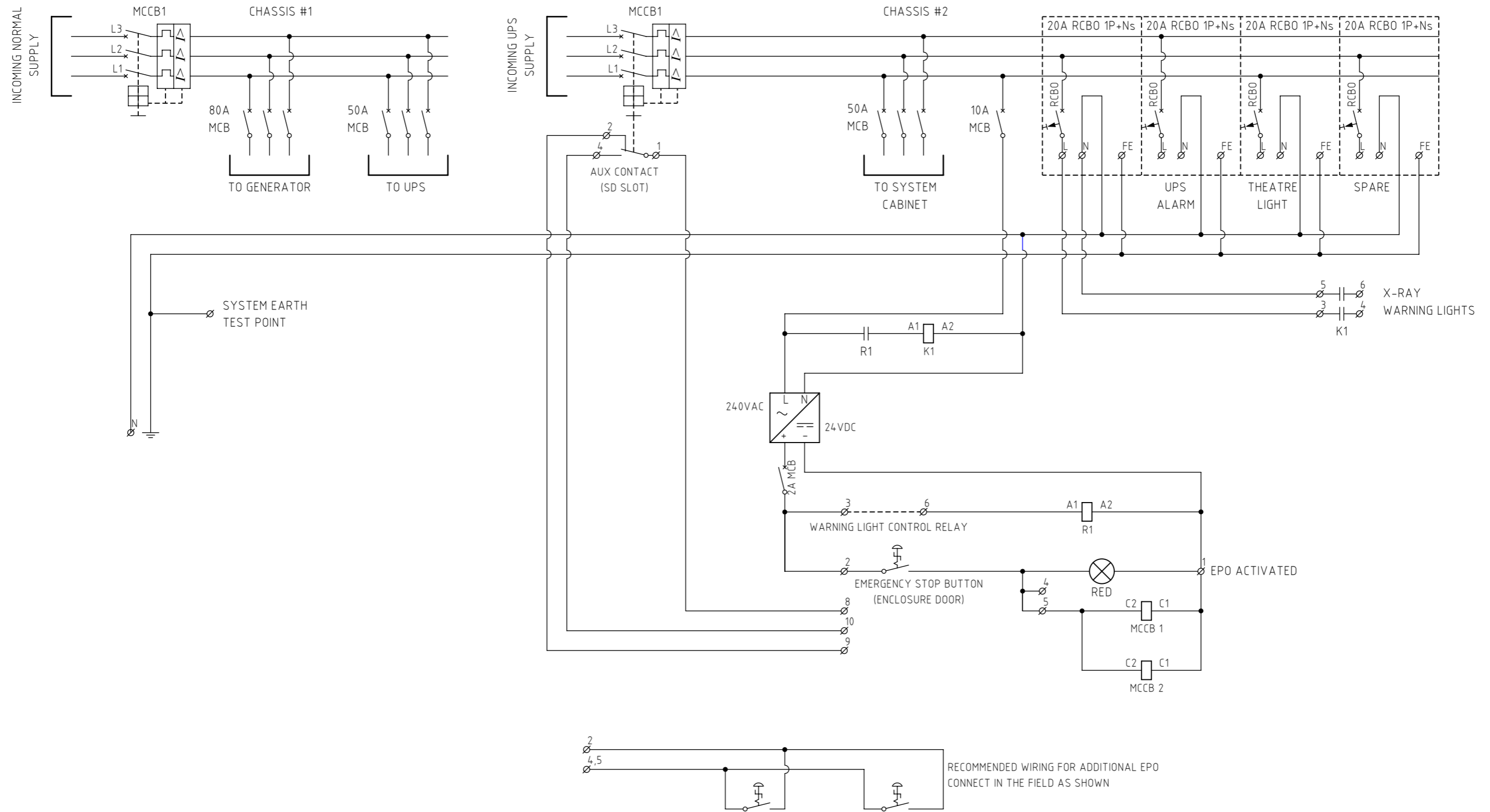
Morsen Pty Ltd. ABN 97 153 873 093  
<https://www.morsen.com.au>  
[enquiries@morsen.com.au](mailto:enquiries@morsen.com.au)



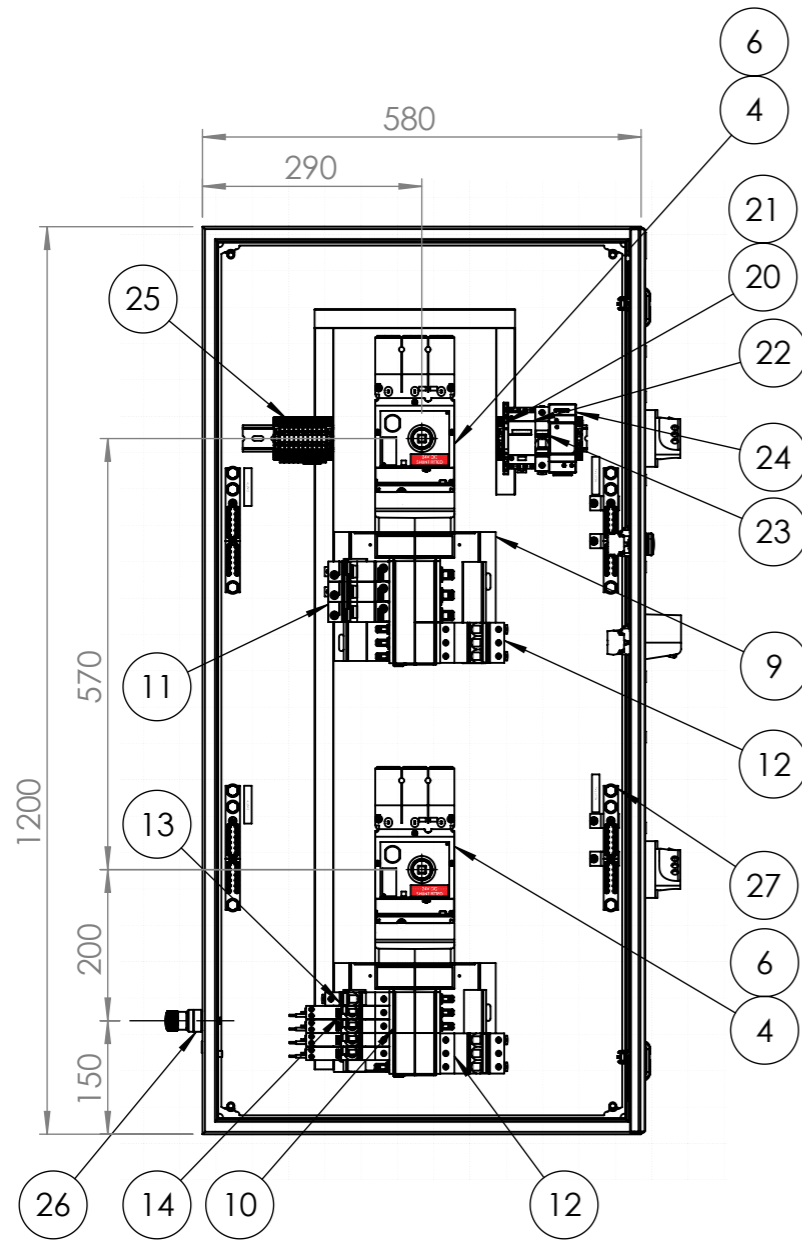
# Appendix A - Drawings

## Medical Imaging Distribution Boards

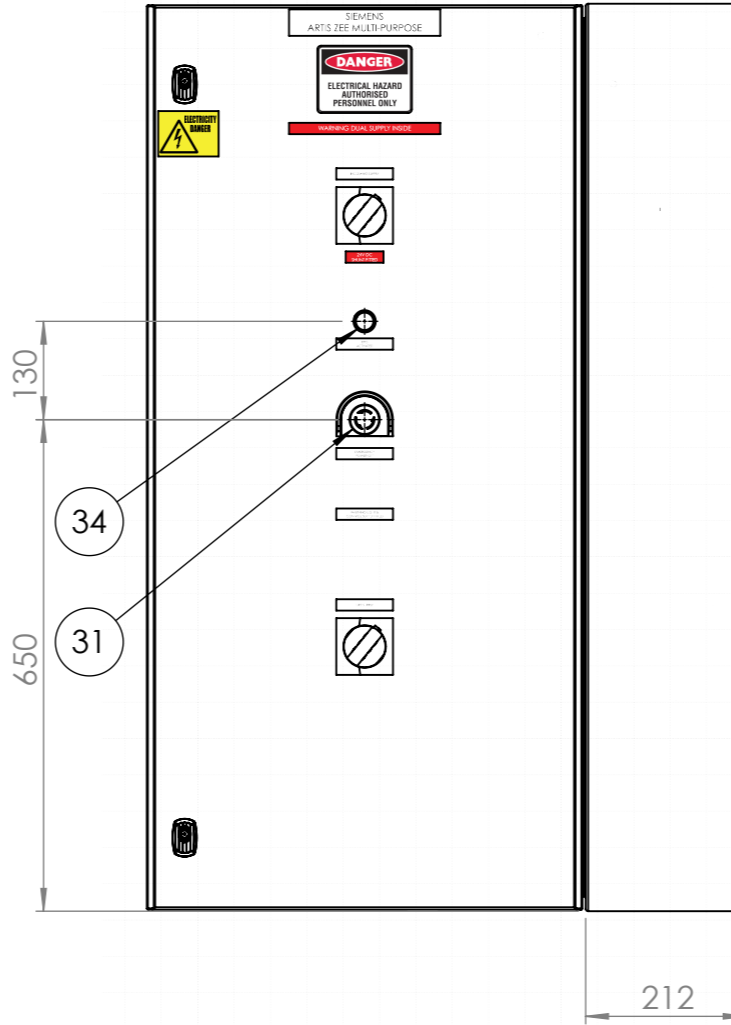
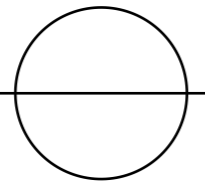
Sheet 1	Electrical Schematic
Sheet 2	General Arrangement



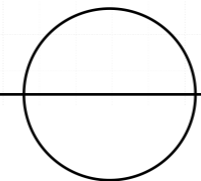
MORSEN Morsen Pty Ltd abn 97 153 873 093 <a href="http://www.morsen.com.au">www.morsen.com.au</a>				TITLE: Medical Imaging Distribution Boards Single Compartment Dual Isolators Electrical Schematic				
DRAWN	MW	12/11/2024	CHECKED	DvD	12/11/2024	Model	Version	Dwg Rev
						SL2-3250-WNNS	B	DS-A
REV	DATE	DESCRIPTION				SCALE:1:1 A3	SHEET 1 OF 2	
DS-A	12/11/2024	DATASHEET VERSION						



LEFT VIEW



RIGHT VIEW



ITEM	NAME	DESCRIPTION	QTY
4	3-Pole Circuit Breaker	ComPacT NSX160F, 3-Pole, 160A, 36kA/415VAC	2
6	3-Pole Trip Unit	TM160D 160A Thermal Magnetic Protections	2
9	Chassis 12-Pole Hybrid	SAU Hybrid Chassis, Acti9, 250A, 6 poles 18mm and 6 poles 27mm	1
10	Chassis 12-Pole 18mm	SAU Chassis, Acti9, 250A, 3P, 12 poles 18mm	1
11	3-Pole Miniature Circuit Breaker	Acti9, C120N, 3P, 80A, C curve, 10000A (IEC/EN 60898-1), 10kA (IEC/EN 60947-2)	1
12	3-Pole Miniature Circuit Breaker A9F	Acti9, iC60N, 3P, 50A, C curve, 6000A (IEC/EN 60898-1), 10kA (IEC/EN 60947-2)	2
13	Miniature Circuit Breaker	Acti9, Acti9 iC60N Disbo, 1P, 10A, C curve, 6000A (IEC/EN 60898-1), 10kA	1
14	RCBO	Acti9 iC60N RCBO with Overcurrent Protection 1P+N <sub>s</sub> , 20A C Curve, 30mA, A type, 6000A	4
20	Slim Interface Relay Socket	Harmony Electromechanical, Screw Connector, 12-24V AC DC with LED and Protection Circuit	1
21	Slim Interface Relay	Harmony Electromechanical, 6A, 1CO, 24VDC	1
22	Contactor Acti9	ICT 25A 4NO 240VAC 50Hz	1
23	Miniature Circuit Breaker	Acti9, Acti9 iC60N Disbo, 1P, 2A, C curve, 6000A (IEC/EN 60898-1), 10kA	1
24	Power Supply 24V DC Schneider	Power Supply 24V DC	1
25	Terminal Block	Standard feed-through, Screw connection, 4mm <sup>2</sup> , 32A 800V, Dark Beige	10
26	Earth Stud	Medilec Equipotential	1
27	Earth Neutral Bar 12-Pole	12-Pole 165A	4
31	Emergency Stop Pushbutton	Mushroom Pushbutton 40mm Plastic Rotate to Unlatch	1
34	Indicator LED	22mm Round Plastic Red with holder, LED module, with integrated LED 24 V AC/DC screw terminal	1

NOTES

1. Dimensions for component positions are approximate and subject to change without notice

MORSEN Morsen Pty Ltd abn 97 153 873 093 <a href="http://www.morsen.com.au">www.morsen.com.au</a>				TITLE: Medical Imaging Distribution Boards Single Compartment Dual Isolators General Arrangement					
DRAWN	MW	12/11/2024	CHECKED	DvD	12/11/2024	Model	Version	Dwg Rev	
DS-A	12/11/2024	DATASHEET VERSION				SL2-3250-WNNS	B	DS-A	
REV	DATE	DESCRIPTION				SCALE:1:10 A3	SHEET 2 OF 2		