

# Product Datasheet

## Medical Imaging Distribution Boards

Model	SL2-3250-WNNS-C
Description	2x125 Amp, 3 Pole MCCB With Warning Lights Circuit and Emergency Power Off
Trip Unit	Schneider Micrologic 2.2
Energy Monitoring	No
Earth Leakage Protection (Main Circuit)	No

### Voltage Ratings

$U_n$ (Voltage)	415 V AC
$U_e$ (Operational Voltage)	415 V AC
$U_i$ (Insulation Voltage)	400 V AC
$U_{imp}$ (Impulse Withstand Voltage)	4 kV

### Current Ratings

$I_{nA}$ (Current)	250 A
$I_{nc}$ (Current – Main Circuit)	2x 125 A main circuits via individual MCCB
$I_{nc}$ (Current – Warning Lights Circuit)	16 A
$I_{pk}$ (Peak withstand)	NA
$I_{cw}$ (Short-time withstand)	NA
$I_{cc}$ (Conditional short-circuit current)	10kA RMS

### Other Specifications

Diversity Factor	1
Frequency	50/60 Hz
Other Characteristics	

### Additional Requirements

Pollution Degree	3
Earthing Type	TN-S
Indoor or Outdoor	Indoor

<b>Doc</b>	MIDB-001-005
<b>Desc</b>	Datasheet - Medical Imaging Distribution Boards
<b>Model</b>	SL2-3250-WNNS-C
<b>Rev</b>	A

12 November, 2024 P 1 of 3

Stationary or Movable	Stationary
Degree of Protection	IP42
Intended for Use	Skilled Persons
Electromagnetic Compatibility Classification	Environment B
Special Service Conditions	Maximum Ambient Air Temperature 35° C
External Design	Wall Mounted Surface Type
Mechanical Impact	IK10
Type of Construction	Fixed Parts
Protection Against Electric Shock	Enclosure openable by key or tool
Overall Dimensions	1,000mm high x 600mm wide x 200mm deep
Weight	55kg
Form of Internal Separation	2b
Types of Electrical Connections of Functional Units	FFF

## Service Conditions

Ambient Air Temperature	Maximum 40°C Short Term Maximum 35°C Average over 24 hours Minimum -25°C
Maximum Altitude	2,000m
Overvoltage Category (IEC 60364-4-44:2007)	Category III

## Short Circuit Protective Device

Mechanism	Protection Description
Schneider ComPacT NSX Moulded Case Circuit Breaker	Reflex (mechanical) tripping for high short-circuit currents, with a maximum break time of 10ms.
Micrologic 2.2, 160A	Adjustable short-time protection, 1.5-10xI <sub>n</sub> , with fixed delay. Fixed instantaneous protection: cutoff current I <sub>i</sub> = 2,400A

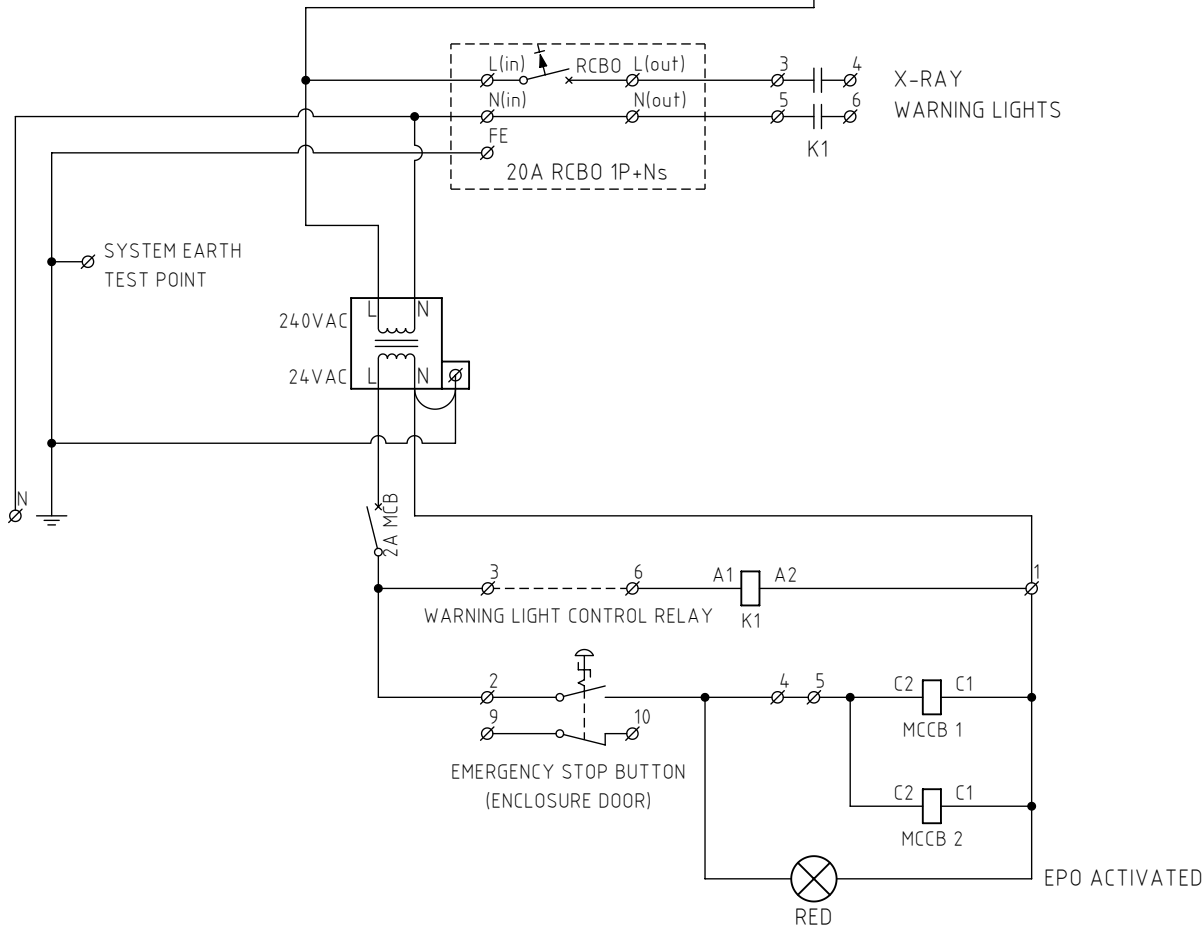
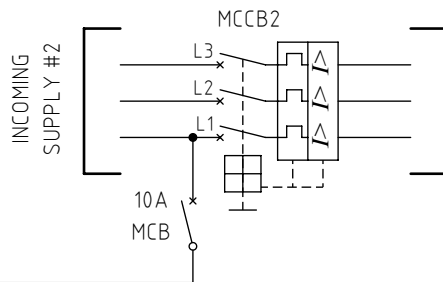
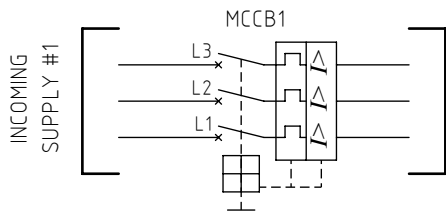
Morsen Pty Ltd. ABN 97 153 873 093  
<https://www.morsen.com.au>  
[enquiries@morsen.com.au](mailto:enquiries@morsen.com.au)



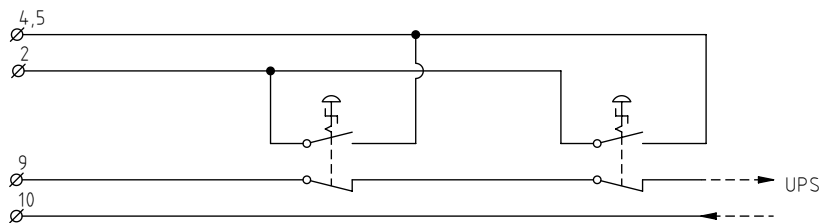
# Appendix A - Drawings

## Medical Imaging Distribution Boards

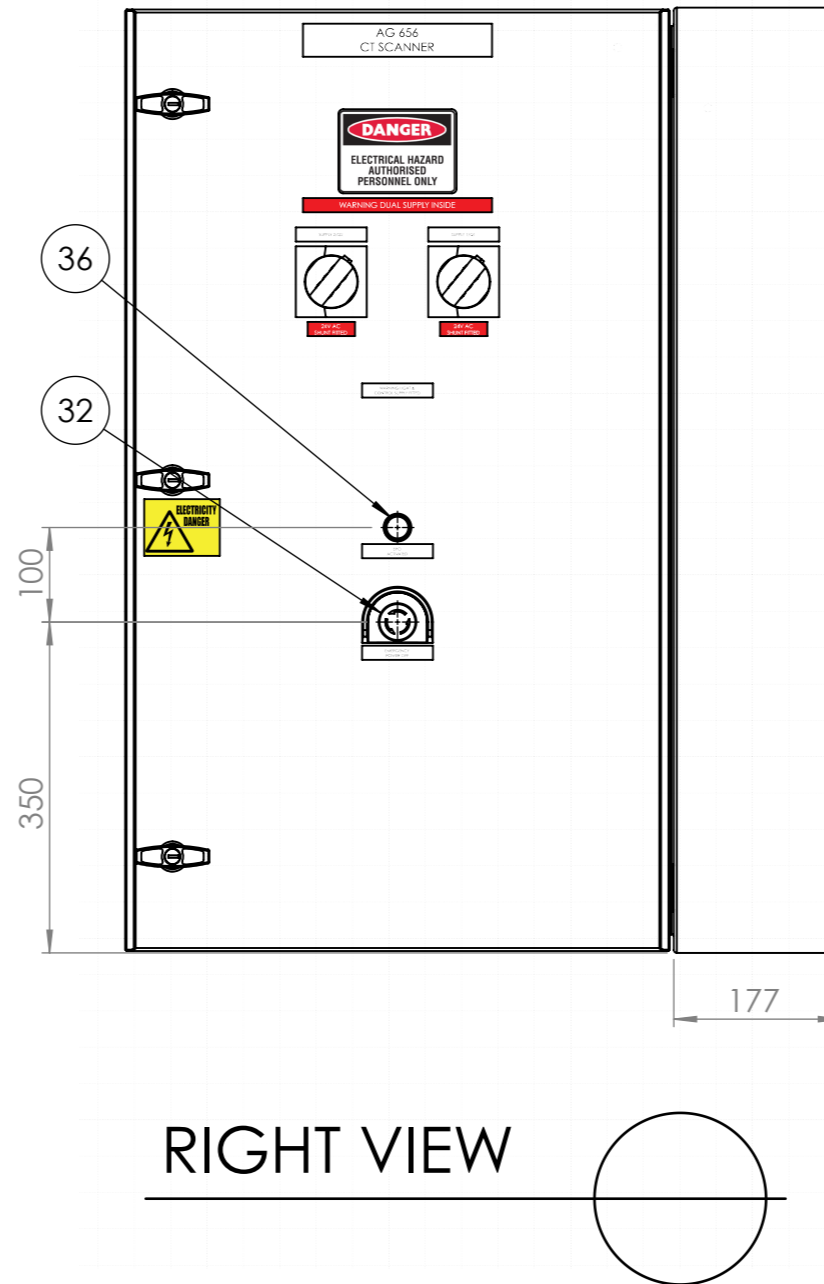
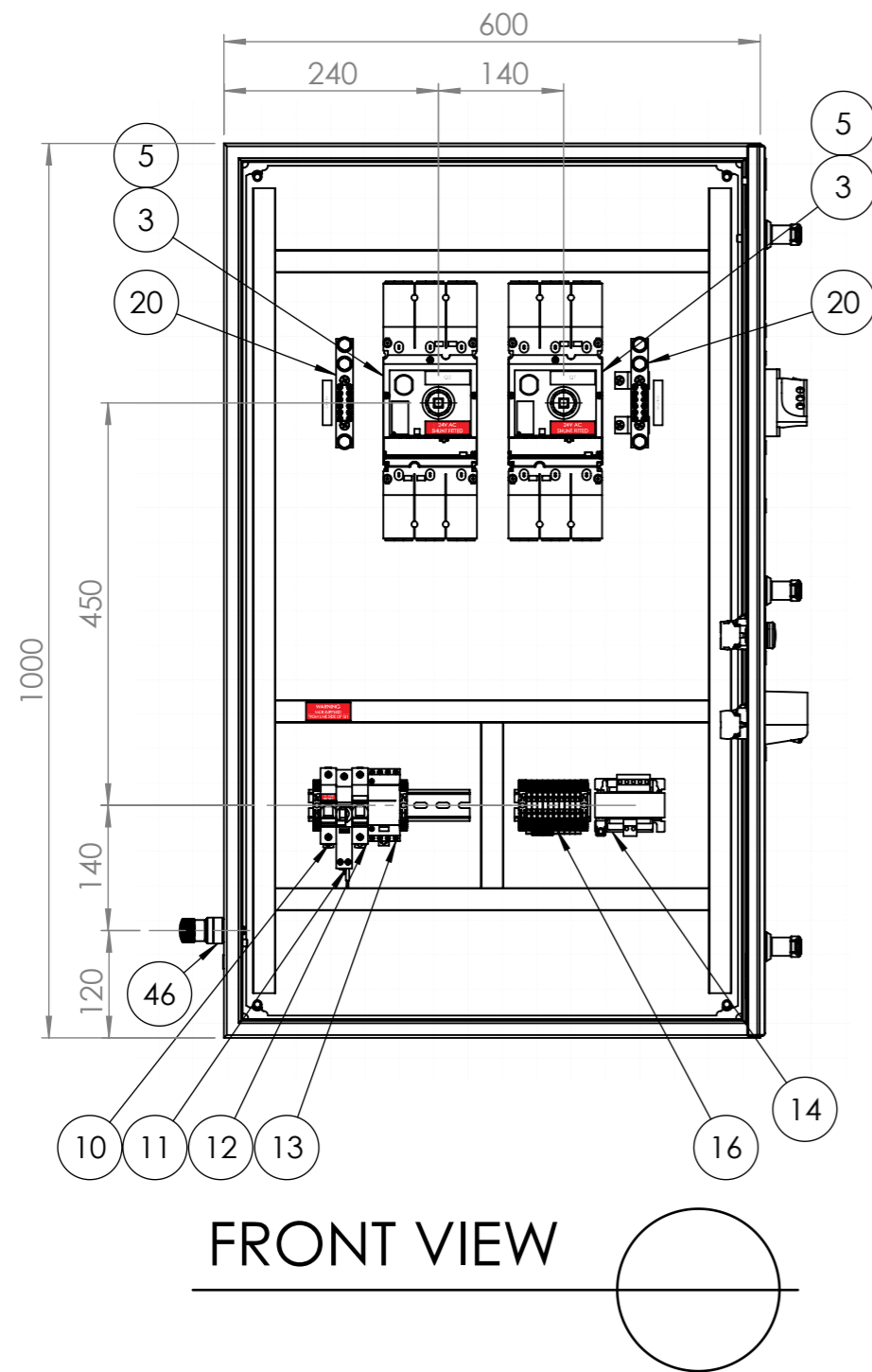
Sheet 1	Electrical Schematic
Sheet 2	General Arrangement



RECOMMENDED WIRING FOR ADDITIONAL EPO AND UPS  
CONNECT IN THE FIELD AS SHOWN



			Morsen Pty Ltd abn 97 153 873 093 <a href="http://www.morsen.com.au">www.morsen.com.au</a>			<b>TITLE:</b> Medical Imaging Distribution Boards Single Compartment Dual Isolators Electrical Schematic		
			<b>DRAWN</b> MW 12/11/2024	<b>CHECKED</b> DvD 12/11/2024	<b>Model</b> SL2-3250-WNNS			
<b>REV</b> DS-A	<b>DATE</b> 12/11/2024	<b>DESCRIPTION</b> DATASHEET VERSION	<b>SCALE:</b> 1:1 A4			<b>SHEET</b> 1 OF 2		



ITEM	NAME	DESCRIPTION	QTY
3	3-Pole Circuit Breaker	ComPacT NSX160F, 3-Pole, 160A, 36kA/415VAC	2
5	3-Pole Trip Unit	Micrologic 2.2 160A Electronic Basic Protections	2
10	Miniature Circuit Breaker	Acti9, Acti9 iC60N Disbo, 1P, 10A, C curve, 6000A (IEC/EN 60898-1), 10kA	1
11	RCBO	Acti9 iC60N RCBO with Overcurrent Protection 1P+N <sub>s</sub> , 20A C Curve, 30mA, A type, 6000A	1
12	Miniature Circuit Breaker	Acti9, Acti9 iC60N Disbo, 1P, 2A, C curve, 6000A (IEC/EN 60898-1), 10kA	1
13	Contactor Acti9	ICT 25A 4NO 24VAC 50Hz	1
14	Voltage Transformer	230..400 V - 1 x 24 V - 100 VA	1
16	Terminal Block	Standard feed-through, Screw connection, 4mm <sup>2</sup> , 32A 800V, Dark Beige	10
20	Earth Neutral Bar	6-Pole 165A	2
32	Emergency Stop Pushbutton	Mushroom Pushbutton 40mm Plastic Rotate to Unlatch	1
36	Indicator LED	22mm Round Plastic Red with holder, LED module, with integrated LED 24 V AC/DC screw terminal	1
46	Earth Stud	Medilec Equipotential	1

NOTES  
1. Dimensions for component positions are approximate and subject to change without notice

<b>MORSEN</b> Morsen Pty Ltd abn 97 153 873 093 <a href="http://www.morsen.com.au">www.morsen.com.au</a>				<b>TITLE:</b> Medical Imaging Distribution Boards Single Compartment Dual Isolators General Arrangement							
<b>DRAWN</b>	MW	12/11/2024	<b>CHECKED</b>	DvD	12/11/2024	<b>Model</b>	SL2-3250-WNNS	<b>Version</b>	C	<b>Dwg Rev</b>	DS-A
DS-A	12/11/2024	DATASHEET VERSION				<b>SCALE:</b>	1:8 A3	<b>SHEET</b>		2 OF 2	
<b>REV</b>	<b>DATE</b>	<b>DESCRIPTION</b>									