

# Product Datasheet

## Medical Imaging Distribution Boards

Model	SR1-3200-WNNS-B
Description	200 Amps, 3 Poles, with Warning Lights Circuit and Emergency Power Off. Right-Handed Door
Trip Unit	Schneider Micrologic 2.2
Energy Monitoring	No
Earth Leakage Protection (Main Circuit)	No

### Voltage Ratings

$U_n$ (Voltage)	415 V AC
$U_e$ (Operational Voltage)	415 V AC
$U_i$ (Insulation Voltage)	400 V AC
$U_{imp}$ (Impulse Withstand Voltage)	4 kV

### Current Ratings

$I_{nA}$ (Current)	200 A
$I_{nc}$ (Current – Main Circuit)	200 A
$I_{nc}$ (Current – Warning Lights Circuit)	16 A
$I_{pk}$ (Peak withstand)	NA
$I_{cw}$ (Short-time withstand)	NA
$I_{cc}$ (Conditional short-circuit current)	10kA RMS

### Other Specifications

Diversity Factor	1
Frequency	50/60 Hz
Other Characteristics	

### Additional Requirements

Pollution Degree	3
Earthing Type	TN-S
Indoor or Outdoor	Indoor
Stationary or Movable	Stationary

<b>D o c</b>	MIDB-001-006
<b>D e s c</b>	Datasheet - Medical Imaging Distribution Boards
<b>M o d e l</b>	SR1-3200-WNNS-B
<b>R e v</b>	A

12 November, 2024	P	1 of 3
-------------------	---	--------



Degree of Protection	IP42
Intended for Use	Skilled Persons
Electromagnetic Compatibility Classification	Environment B
Special Service Conditions	Maximum Ambient Air Temperature 35° C
External Design	Wall Mounted Surface Type
Mechanical Impact	IK10
Type of Construction	Fixed Parts
Protection Against Electric Shock	Enclosure openable by key or tool
Overall Dimensions	800mm high x 600mm wide x 250m deep
Weight	45kg
Form of Internal Separation	2b
Types of Electrical Connections of Functional Units	FFF

## Service Conditions

Ambient Air Temperature	Maximum 40°C Short Term Maximum 35°C Average over 24 hours Minimum -25°C
Maximum Altitude	2,000m
Overvoltage Category (IEC 60364-4-44:2007)	Category III

## Short Circuit Protective Device

Mechanism	Protection Description
Schneider ComPacT NSX Moulded Case Circuit Breaker	Reflex (mechanical) tripping for high short-circuit currents, with a maximum break time of 10ms.
Micrologic 2.2, 250A	Adjustable short-time protection, 1.5-10xI <sub>n</sub> , with fixed delay. Fixed instantaneous protection: cutoff current I <sub>i</sub> = 3,000A

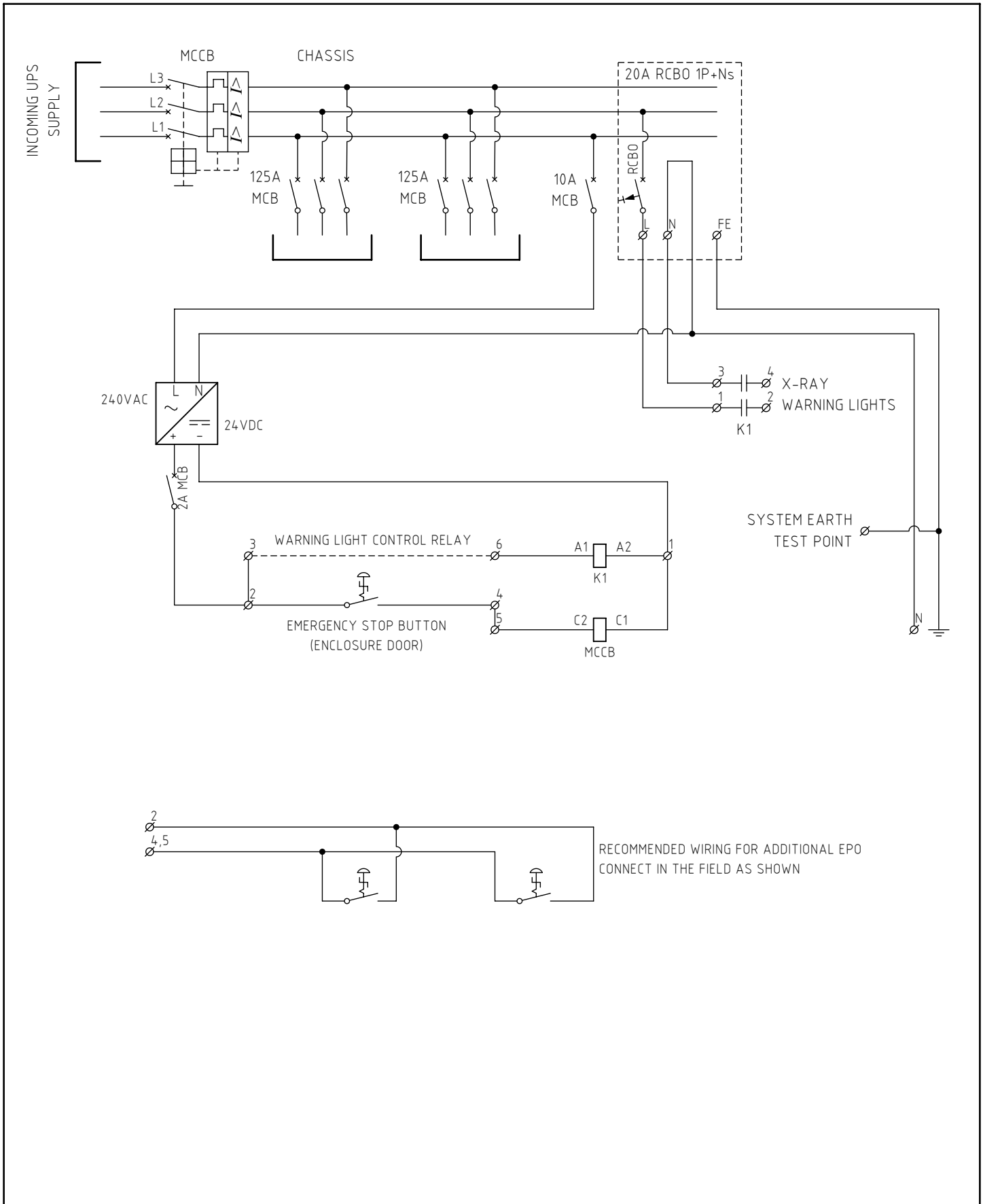
Morsen Pty Ltd. ABN 97 153 873 093  
<https://www.morsen.com.au>  
[enquiries@morsen.com.au](mailto:enquiries@morsen.com.au)




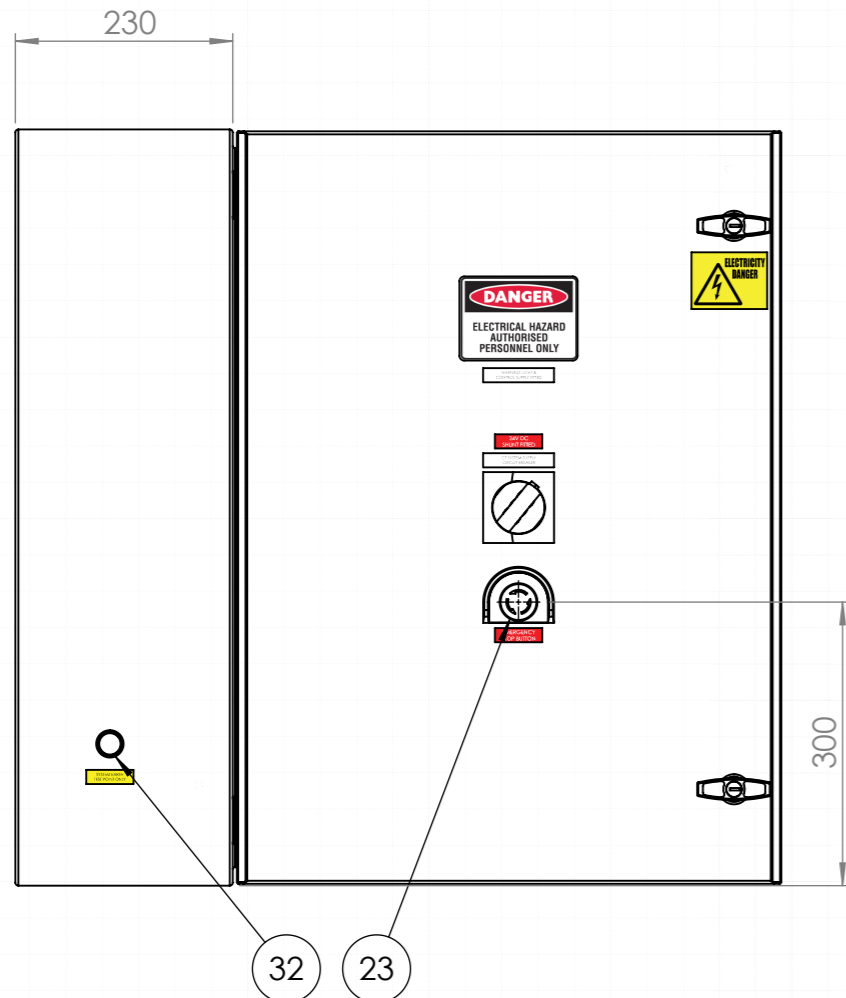
# Appendix A - Drawings

## Medical Imaging Distribution Boards

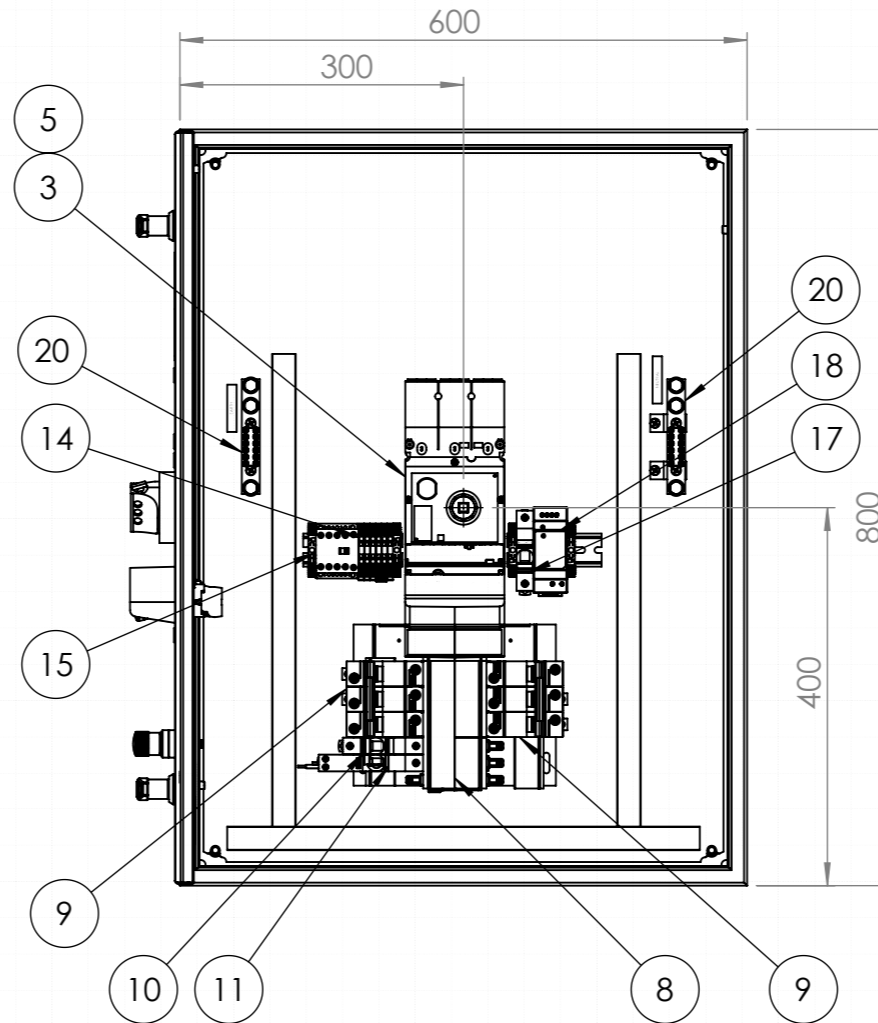
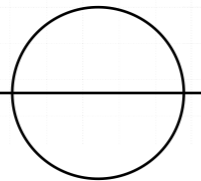
Sheet 1	Electrical Schematic
Sheet 2	General Arrangement



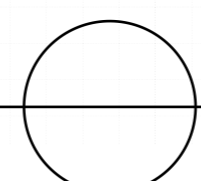
			Morsen Pty Ltd abn 97 153 873 093 <a href="http://www.morsen.com.au">www.morsen.com.au</a>			<b>TITLE:</b> Medical Imaging Distribution Boards Single Compartment One Isolator Electrical Schematic			
<b>DRAWN</b>	MW	12/11/2024	<b>CHECKED</b>	DvD	12/11/2024	<b>Model</b> SR1-3200-WNNS		<b>Version</b> B	<b>Dwg Rev</b> DS-A
DS-A	12/11/2024	DATASHEET VERSION				<b>SCALE:</b> 1:1 A4		<b>SHEET</b> 1 OF 2	
<b>REV</b>	<b>DATE</b>	<b>DESCRIPTION</b>							



LEFT SIDE



FRONT VIEW



ITEM	NAME	DESCRIPTION	QTY
3	3-Pole Circuit Breaker	ComPacT NSX250F, 3-Pole, 250A, 36kA/415VAC	1
5	3-Pole Trip Unit	Micrologic 2.2 250A Electronic Basic Protections	1
8	Chassis 12-Pole Hybrid	SAU Hybrid Chassis, Acti9, 250A, 6 poles 18mm and 6 poles 27mm	1
9	3-Pole Miniature Circuit Breaker	Acti9, C120N, 3P, 125A, C curve, 10000A (IEC/EN 60898-1), 10kA (IEC/EN 60947-2)	2
10	Miniature Circuit Breaker	Acti9, Acti9 iC60N Disbo, 1P, 10A, C curve, 6000A (IEC/EN 60898-1), 10kA	1
11	RCBO	Acti9 iC60N RCBO with Overcurrent Protection 1P+N, 20A C Curve, 30mA, A type, 6000A	1
14	Terminal Block	Standard feed-through, Screw connection, 4mm <sup>2</sup> , 32A 800V, Dark Beige	6
15	Contactor 24V	Contactor TeSys K 24V DC	1
17	Miniature Circuit Breaker	Acti9, Acti9 iC60N Disbo, 1P, 2A, C curve, 6000A (IEC/EN 60898-1), 10kA	1
18	Power Supply 24V DC Schneider	Power Supply 24V DC	1
20	Earth Neutral Bar	6-Pole 165A	2
23	Emergency Stop Pushbutton	Mushroom Pushbutton 40mm Plastic Rotate to Unlatch	1
32	Earth Stud	Medilec Equipotential	1

NOTES

1. Dimensions for component positions are approximate and subject to change without notice

MORSEN Morsen Pty Ltd abn 97 153 873 093 <a href="http://www.morsen.com.au">www.morsen.com.au</a>				TITLE: Medical Imaging Distribution Boards Single Compartment One Isolator General Arrangement				
DRAWN	MW	12/11/2024	CHECKED	DvD	12/11/2024	Model	Version	Dwg Rev
						SR1-3200-WNNS	B	DS-A
DS-A	12/11/2024	DATASHEET VERSION				SCALE:1:8	A3	SHEET 2 OF 2
REV	DATE	DESCRIPTION						