

Product Datasheet

Medical Imaging Distribution Boards

| | |
|---|--|
| Model | SL1-3160-WNNS-B |
| Description | 160 Amps, 3 Poles, with Warning Lights Circuit and Emergency Power Off |
| Trip Unit | Siemens TM240 |
| Energy Monitoring | No |
| Earth Leakage Protection (Main Circuit) | No |

Voltage Ratings

| | |
|---------------------------------------|----------|
| U_n (Voltage) | 415 V AC |
| U_e (Operational Voltage) | 415 V AC |
| U_i (Insulation Voltage) | 400 V AC |
| U_{imp} (Impulse Withstand Voltage) | 4 kV |

Current Ratings

| | |
|--|----------|
| I_{nA} (Current) | 160 A |
| I_{nc} (Current – Main Circuit) | 160 A |
| I_{nc} (Current – Warning Lights Circuit) | 16 A |
| I_{pk} (Peak withstand) | NA |
| I_{cw} (Short-time withstand) | NA |
| I_{cc} (Conditional short-circuit current) | 10kA RMS |

Other Specifications

| | |
|-----------------------|----------|
| Diversity Factor | 1 |
| Frequency | 50/60 Hz |
| Other Characteristics | |

Additional Requirements

| | |
|-----------------------|------------|
| Pollution Degree | 3 |
| Earthing Type | TN-S |
| Indoor or Outdoor | Indoor |
| Stationary or Movable | Stationary |

| | |
|------------------|---|
| D o c | MIDB-001-017 |
| D e s c | Datasheet - Medical Imaging Distribution Boards |
| M o d e l | SL1-3160-WNNS-B |
| R e v | B 14 May, 2026 P 1 of 3 |

| | |
|---|---------------------------------------|
| Degree of Protection | IP55 |
| Intended for Use | Skilled Persons |
| Electromagnetic Compatibility Classification | Environment B |
| Special Service Conditions | Maximum Ambient Air Temperature 35° C |
| External Design | Wall Mounted Surface Type |
| Mechanical Impact | IK10 |
| Type of Construction | Fixed Parts |
| Protection Against Electric Shock | Enclosure openable by key or tool |
| Overall Dimensions | 600 high x 600 wide x 200 deep |
| Weight | 25kg |
| Form of Internal Separation | Form 1 |
| Types of Electrical Connections of Functional Units | FFF |

Service Conditions

| | |
|--|--|
| Ambient Air Temperature | Maximum 40°C Short Term Maximum 35°C Average over 24 hours Minimum -25°C |
| Maximum Altitude | 2,000m |
| Overvoltage Category (IEC 60364-4-44:2007) | Category III |

Short Circuit Protective Device

| Mechanism | Protection Description |
|---------------|--------------------------------|
| Siemens TM240 | 36kA Breaking capacity at 415V |

Morsen Pty Ltd. ABN 97 153 873 093

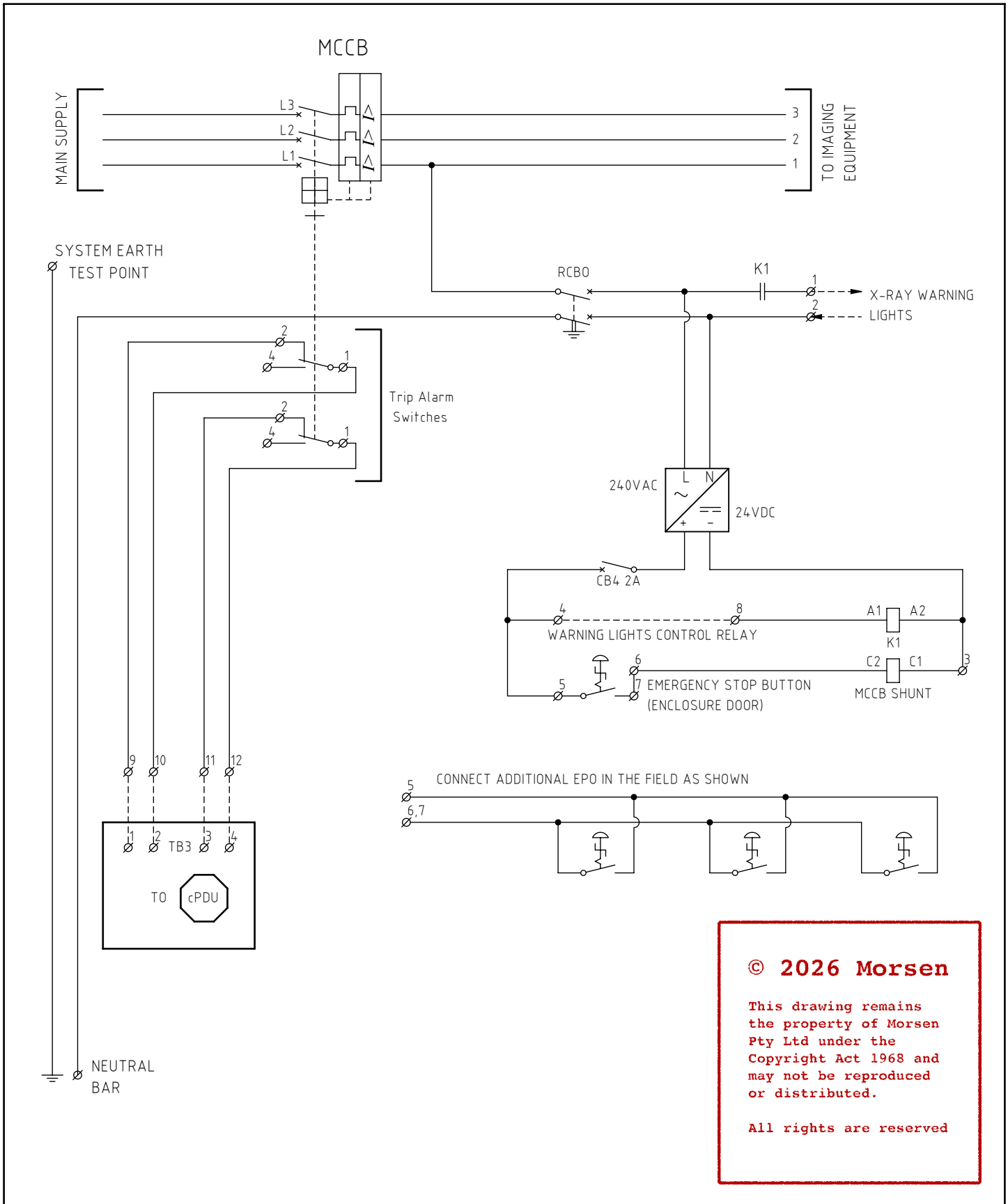
<https://www.morsen.com.au>

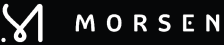
enquiries@morsen.com.au

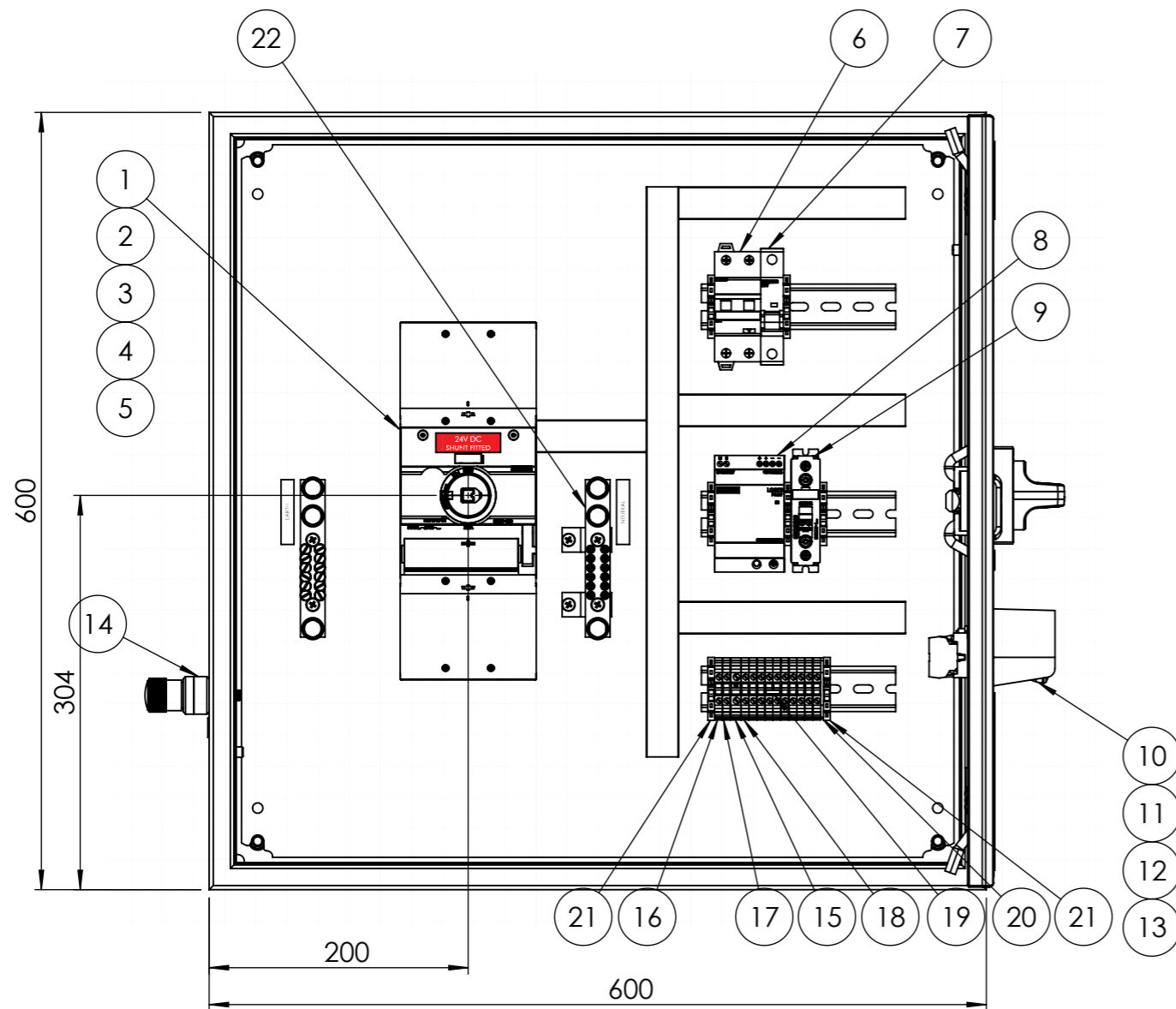
Appendix A - Drawings

Medical Imaging Distribution Boards

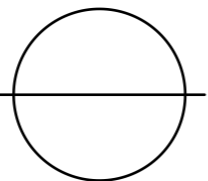
| | |
|---------|----------------------|
| Sheet 1 | Electrical Schematic |
| Sheet 2 | General Arrangement |
| Sheet 3 | Additional Views |



| | | | | | | | | |
|---|------------|--|---------|--------------|---|---------------|--------------|---------|
|  | | © 2026 Morsen Pty Ltd. abn 97 153 873 093 This drawing remains the property of Morsen Pty Ltd under the Copyright Act 1968 and may not be reproduced or distributed. All rights are reserved. | | | TITLE: Medical Imaging Distribution Boards Single Compartment One Isolator Electrical Schematic | | | |
| | | www.morsen.com.au | | | | | | |
| DRAWN | MW | 14/05/2026 | CHECKED | DvD | 14/05/2026 | | | |
| DS-B | 14/05/2026 | Minor Corrections - 10A MCB Removed | | | | Model | Version | Dwg Rev |
| DS-A | 14/12/2025 | Datasheet Version | | | | SL1-3160-WNNS | B | DS-B |
| REV | DATE | DESCRIPTION | | SCALE:1:1 A4 | | | SHEET 1 OF 3 | |



FRONT VIEW

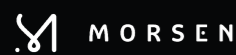


| ITEM | NAME | DESCRIPTION | QTY. |
|------|----------------------------------|---|------|
| 1 | MCCB 250A 3P | 3VA1 IEC Frame Class S Icu=36 kA @ 415 V 3-Pole Line Protection TM240 ATAM In=200 A | 1 |
| 2 | Rotary Handle 3VA12 | Door Mounted For 3VA12 IP65 with Interlock Accessory | 1 |
| 3 | Shunt Trip Left | 24V DC Universal Release For 3VA1 and 3VA20-26 | 1 |
| 4 | Trip Alarm Switch | Changeover Contacts Type HQ (7 mm) For 3VA1 and 3VA20-26 | 2 |
| 5 | Extended Terminals Cover 250A 3P | 3-Pole For 3VA12 | 2 |
| 6 | RCBO 2P | 10 kA 2P Type A 30 mA C-Char In 20A Un 230V | 1 |
| 7 | Miniature Circuit Breaker | 230/400 V 10kA 1P C 2A | 1 |
| 8 | Power Supply | LOGO!POWER 24V 2.5A Input 100-240VAC Output 24VDC 2.5 A | 1 |
| 9 | Solid State Contactor | Solid State 1P 3RF2 AC 51 / 20 A 24-230V / 24VDC | 1 |
| 10 | Emergency Stop Pushbutton | Mushroom Pushbutton 40mm Plastic Rotate to Unlatch | 1 |
| 11 | E-Stop Protective Collar | Yellow, Plastic | 1 |
| 12 | E-Stop NO Contact | NO Contac for E-Stop, Screw Terminals | 1 |
| 13 | E-Stop Universal Holder | Universal Holder for E-Stop Pushbutton | 1 |
| 14 | Earth Stud | Medilec Equipotential | 1 |
| 15 | Screw Terminal PE 6mm | PE Terminal 6mm Green and Yellow | 1 |
| 16 | Screw Terminal 4mm | Through Terminal 4mm Red | 1 |
| 17 | Screw Terminal 4mm | Through Terminal 4mm Black | 1 |
| 18 | Screw Terminal 4mm | Through Terminal 4mm Gray | 10 |
| 19 | Connecting Comb 2P | 2P For 6.2mm Terminals | 1 |
| 22 | Earth Neutral Bar | 6-Pole 165A | 1 |

© 2026 Morsen

This drawing remains the property of Morsen Pty Ltd under the Copyright Act 1968 and may not be reproduced or distributed.

All rights are reserved



© 2026 Morsen Pty Ltd. abn 97 153 873 093
This drawing remains the property of Morsen Pty Ltd under the Copyright Act 1968 and may not be reproduced or distributed. All rights are reserved.

www.morsen.com.au

DRAWN MW 14/05/2026 CHECKED DvD 14/05/2026

DS-B 14/05/2026 Minor Corrections - 10A MCB Removed
DS-A 14/12/2025 Datasheet Version

REV DATE DESCRIPTION

TITLE: Medical Imaging Distribution Boards
Single Compartment One Isolator
General Arrangement

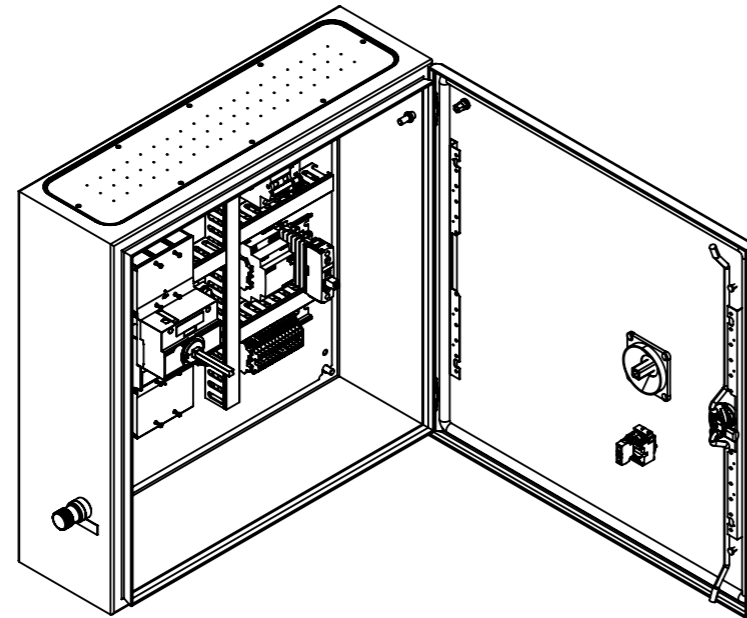
Model SL1-3160-WNNS

Version B

Dwg Rev DS-B

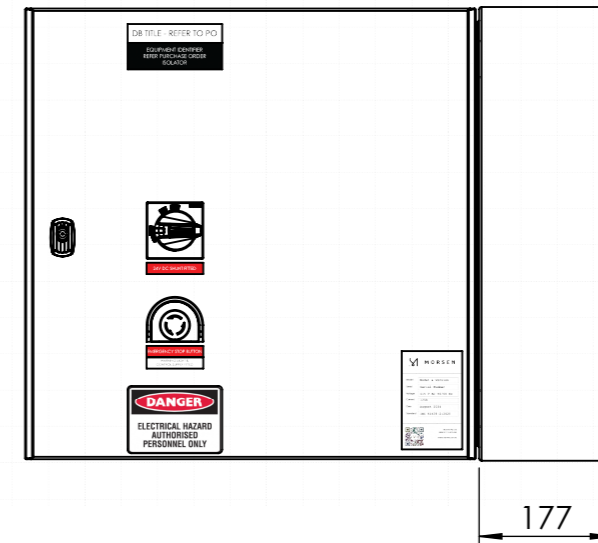
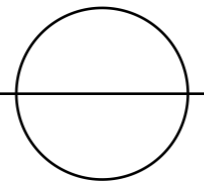
SCALE:1:5 A3

SHEET 2 OF 3



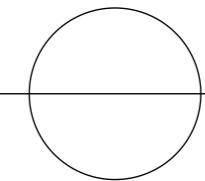
ISOMETRIC

Left-Handed Door



RIGHT SIDE

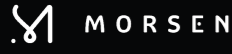
Door Open



© 2026 Morsen

This drawing remains the property of Morsen Pty Ltd under the Copyright Act 1968 and may not be reproduced or distributed.

All rights are reserved

| | | | | | | | | |
|---|------------|-------------------------------------|--|---------------|------------|---|---------|---------|
|  | | | © 2026 Morsen Pty Ltd. abn 97 153 873 093 This drawing remains the property of Morsen Pty Ltd under the Copyright Act 1968 and may not be reproduced or distributed. All rights are reserved. | | | TITLE: Medical Imaging Distribution Boards Single Compartment One Isolator Additional Views | | |
| www.morsen.com.au | | | | | | | | |
| DRAWN | MW | 14/05/2026 | CHECKED | DvD | 14/05/2026 | | | |
| DS-B | 14/05/2026 | Minor Corrections - 10A MCB Removed | | | | Model | Version | Dwg Rev |
| DS-A | 14/12/2025 | Datasheet Version | | | | SL1-3160-WNNS | B | DS-B |
| REV | DATE | DESCRIPTION | | SCALE:1:10 A3 | | SHEET 3 OF 3 | | |