

# Product Datasheet

## Medical Imaging Distribution Boards

Model	SL1-3160-WNNS-C
Description	160 Amps, 3 Poles, with Warning Lights Circuit and Emergency Power Off
Trip Unit	Siemens TM240
Energy Monitoring	No
Earth Leakage Protection (Main Circuit)	No

### Voltage Ratings

$U_n$ (Voltage)	415 V AC
$U_e$ (Operational Voltage)	415 V AC
$U_i$ (Insulation Voltage)	400 V AC
$U_{imp}$ (Impulse Withstand Voltage)	4 kV

### Current Ratings

$I_{nA}$ (Current)	160 A
$I_{nc}$ (Current – Main Circuit)	160 A
$I_{nc}$ (Current – Warning Lights Circuit)	16 A
$I_{pk}$ (Peak withstand)	NA
$I_{cw}$ (Short-time withstand)	NA
$I_{cc}$ (Conditional short-circuit current)	10kA RMS

### Other Specifications

Diversity Factor	1
Frequency	50/60 Hz
Other Characteristics	

### Additional Requirements

Pollution Degree	3
Earthing Type	TN-S
Indoor or Outdoor	Indoor
Stationary or Movable	Stationary

<b>D o c</b>	MIDB-001-019
<b>D e s c</b>	Datasheet - Medical Imaging Distribution Boards
<b>M o d e l</b>	SL1-3160-WNNS-C
<b>R e v</b>	A
	14 May, 2026
	P
	1 of 3

Degree of Protection	IP55
Intended for Use	Skilled Persons
Electromagnetic Compatibility Classification	Environment B
Special Service Conditions	Maximum Ambient Air Temperature 35° C
External Design	Wall Mounted Surface Type
Mechanical Impact	IK10
Type of Construction	Fixed Parts
Protection Against Electric Shock	Enclosure openable by key or tool
Overall Dimensions	600 high x 600 wide x 200 deep
Weight	25kg
Form of Internal Separation	Form 1
Types of Electrical Connections of Functional Units	FFF

## Service Conditions

Ambient Air Temperature	Maximum 40°C Short Term Maximum 35°C Average over 24 hours Minimum -25°C
Maximum Altitude	2,000m
Overvoltage Category (IEC 60364-4-44:2007)	Category III

## Short Circuit Protective Device

Mechanism	Protection Description
Siemens TM240	36kA Breaking capacity at 415V

Morsen Pty Ltd. ABN 97 153 873 093

<https://www.morsen.com.au>

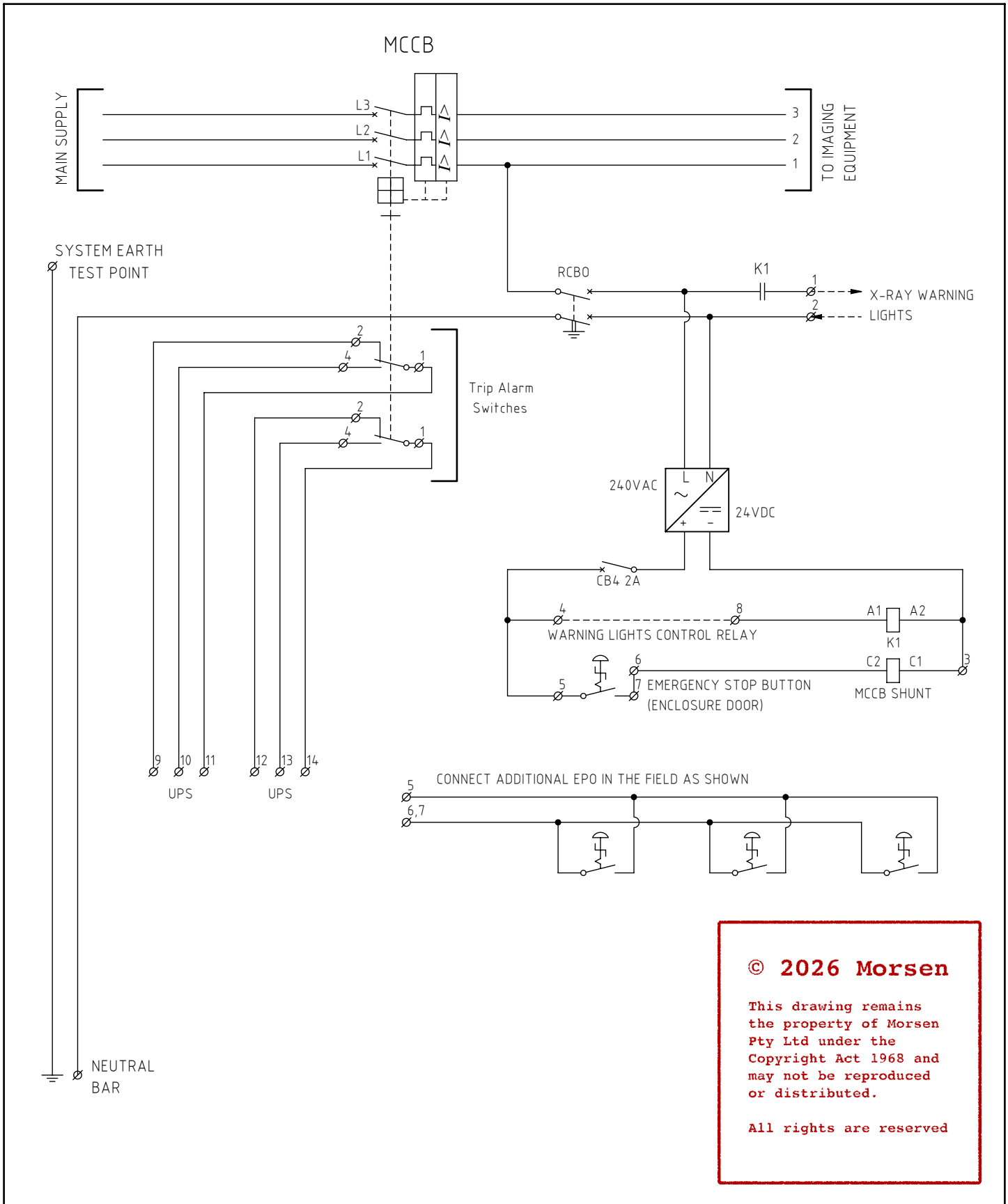
[enquiries@morsen.com.au](mailto:enquiries@morsen.com.au)



# Appendix A - Drawings

## Medical Imaging Distribution Boards

Sheet 1	Electrical Schematic
Sheet 2	General Arrangement
Sheet 3	Additional Views

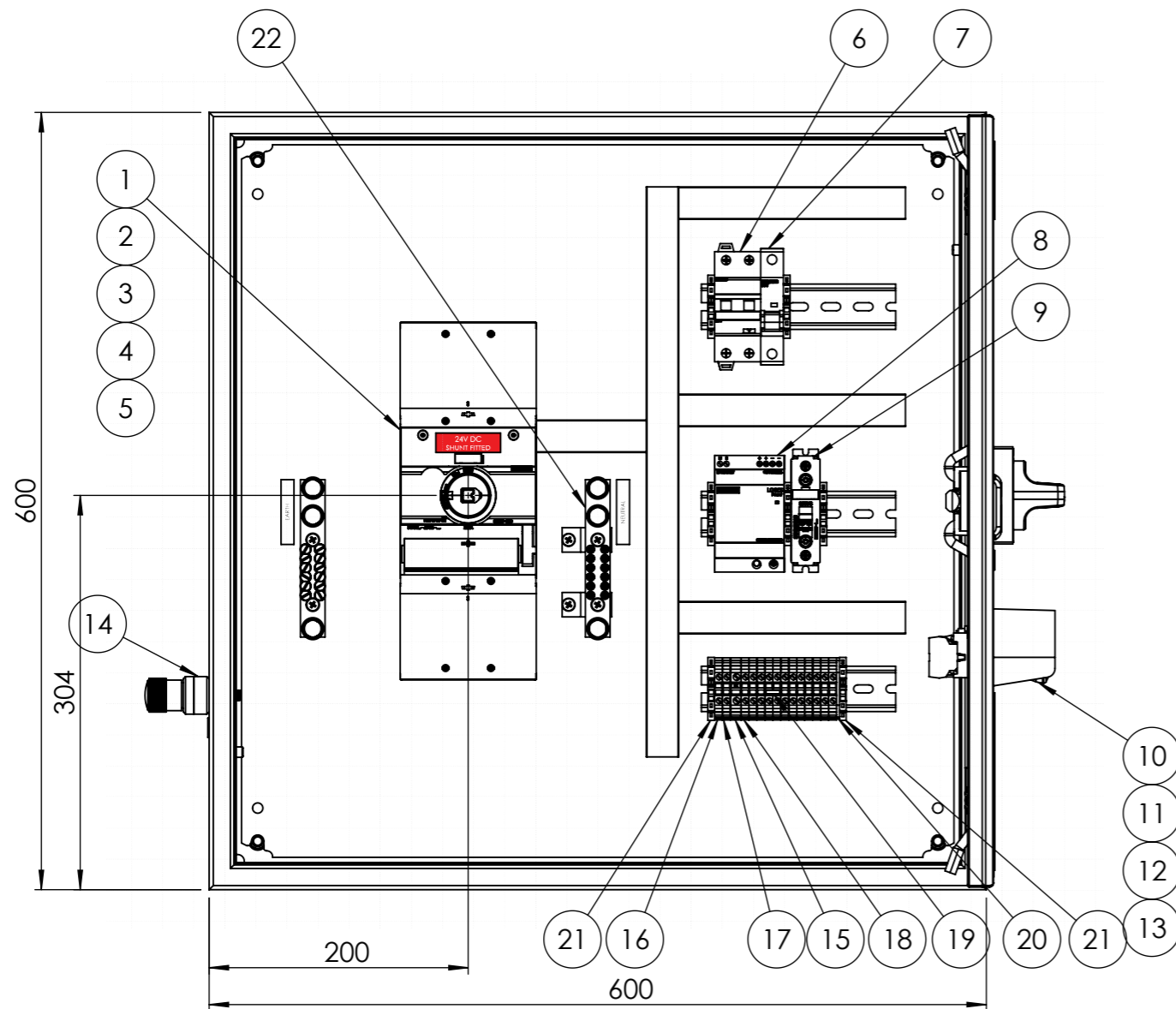


**© 2026 Morsen**

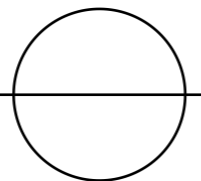
This drawing remains the property of Morsen Pty Ltd under the Copyright Act 1968 and may not be reproduced or distributed.

All rights are reserved

<b>MORSEN</b> <a href="http://www.morsen.com.au">www.morsen.com.au</a>		© 2026 Morsen Pty Ltd. abn 97 153 873 093 This drawing remains the property of Morsen Pty Ltd under the Copyright Act 1968 and may not be reproduced or distributed. All rights are reserved.			TITLE: Medical Imaging Distribution Boards Single Compartment One Isolator Electrical Schematic			
		DRAWN	MW	15/04/2026	CHECKED	DvD	15/04/2026	Model
						SL1-3160-WNNS	C	DS-A
DS-A	15/04/2026	Datasheet Version				SCALE:1:1	A4	SHEET 1 OF 3
REV	DATE	DESCRIPTION						



FRONT VIEW

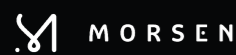


ITEM	NAME	DESCRIPTION	QTY.
1	MCCB 250A 3P	3VA1 IEC Frame Class S Icu=36 kA @ 415 V 3-Pole Line Protection TM240 ATAM In=200 A	1
2	Rotary Handle 3VA12	Door Mounted For 3VA12 IP65 with Interlock Accessory	1
3	Shunt Trip Left	24V DC Universal Release For 3VA1 and 3VA20-26	1
4	Trip Alarm Switch	Changeover Contacts Type HQ (7 mm) For 3VA1 and 3VA20-26	2
5	Extended Terminals Cover 250A 3P	3-Pole For 3VA12	2
6	RCBO 2P	10 kA 2P Type A 30 mA C-Char In 20A Un 230V	1
7	Miniature Circuit Breaker	230/400 V 10kA 1P C 2A	1
8	Power Supply	LOGO!POWER 24V 2.5A Input 100-240VAC Output 24VDC 2.5 A	1
9	Solid State Contactor	Solid State 1P 3RF2 AC 51 / 20 A 24-230V / 24VDC	1
10	Emergency Stop Pushbutton	Mushroom Pushbutton 40mm Plastic Rotate to Unlatch	1
11	E-Stop Protective Collar	Yellow, Plastic	1
12	E-Stop NO Contact	NO Contac for E-Stop, Screw Terminals	1
13	E-Stop Universal Holder	Universal Holder for E-Stop Pushbutton	1
14	Earth Stud	Medilec Equipotential	1
15	Screw Terminal PE 6mm	PE Terminal 6mm Green and Yellow	1
16	Screw Terminal 4mm	Through Terminal 4mm Red	1
17	Screw Terminal 4mm	Through Terminal 4mm Black	1
18	Screw Terminal 4mm	Through Terminal 4mm Gray	12
19	Connecting Comb 2P	2P For 6.2mm Terminals	1
22	Earth Neutral Bar	6-Pole 165A	1

© 2026 Morsen

This drawing remains the property of Morsen Pty Ltd under the Copyright Act 1968 and may not be reproduced or distributed.

All rights are reserved



© 2026 Morsen Pty Ltd. abn 97 153 873 093  
This drawing remains the property of Morsen Pty Ltd under the Copyright Act 1968 and may not be reproduced or distributed. All rights are reserved.

www.morsen.com.au

DRAWN MW 15/04/2026 CHECKED DvD 15/04/2026

DS-A 15/04/2026 Datasheet Version

REV DATE DESCRIPTION

TITLE: Medical Imaging Distribution Boards  
Single Compartment One Isolator  
General Arrangement

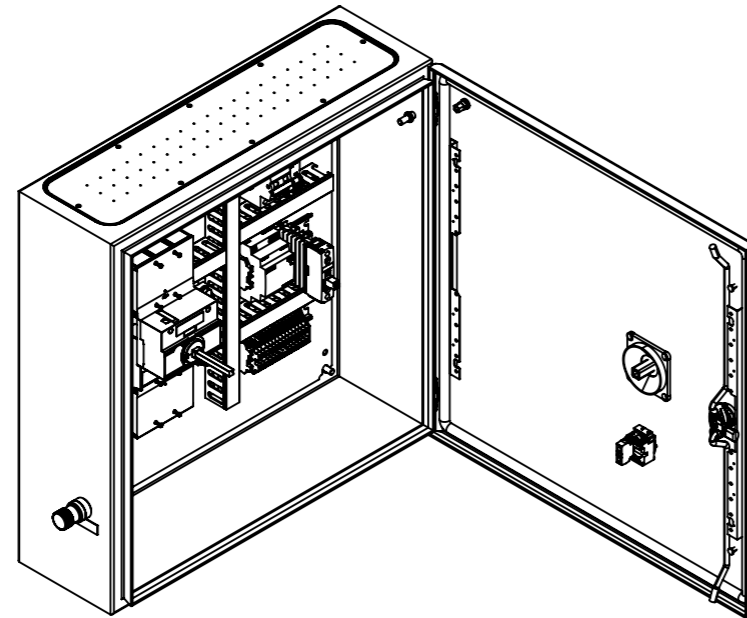
Model SL1-3160-WNNS

Version C

Dwg Rev DS-A

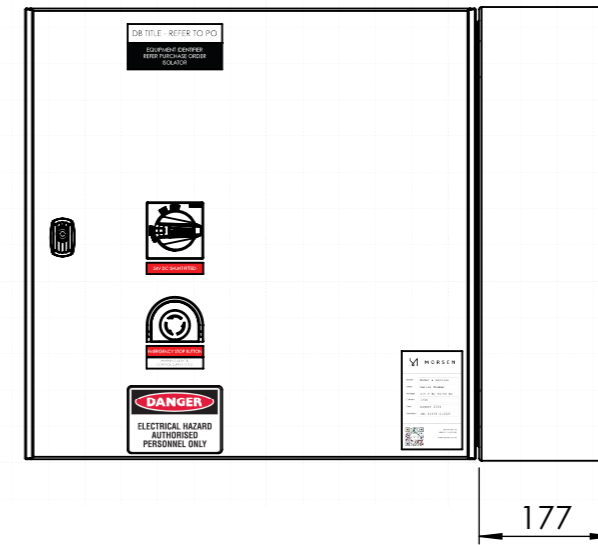
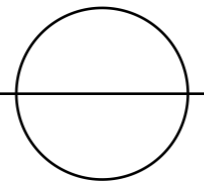
SCALE:1:5 A3

SHEET 2 OF 3



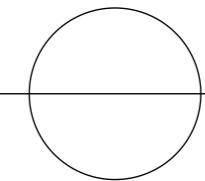
ISOMETRIC

Left-Handed Door



RIGHT SIDE

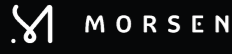
Door Open



**© 2026 Morsen**

This drawing remains the property of Morsen Pty Ltd under the Copyright Act 1968 and may not be reproduced or distributed.

All rights are reserved

			© 2026 Morsen Pty Ltd. abn 97 153 873 093 This drawing remains the property of Morsen Pty Ltd under the Copyright Act 1968 and may not be reproduced or distributed. All rights are reserved.			TITLE: Medical Imaging Distribution Boards Single Compartment One Isolator Additional Views		
<a href="http://www.morsen.com.au">www.morsen.com.au</a>								
DRAWN	MW	15/04/2026	CHECKED	DvD	15/04/2026			
DS-A	15/04/2026	Datasheet Version				Model	Version	Dwg Rev
REV	DATE	DESCRIPTION				SL1-3160-WNNS	C	DS-A
						SCALE:1:10 A3	SHEET 3 OF 3	