

Product Datasheet

Medical Imaging Distribution Boards

Model	SL2-3250-WNNS-D
Description	2x125 Amp, 3 Pole MCCB With Warning Lights Circuit and Emergency Power Off
Trip Unit	Schneider Micrologic 2.2
Energy Monitoring	No
Earth Leakage Protection (Main Circuit)	No

Voltage Ratings

U_n (Voltage)	415 V AC
U_e (Operational Voltage)	415 V AC
U_i (Insulation Voltage)	400 V AC
U_{imp} (Impulse Withstand Voltage)	4 kV

Current Ratings

I_{nA} (Current)	250 A
I_{nc} (Current – Main Circuit)	2x 125 A main circuits via individual MCCB
I_{nc} (Current – Warning Lights Circuit)	16 A
I_{pk} (Peak withstand)	NA
I_{cw} (Short-time withstand)	NA
I_{cc} (Conditional short-circuit current)	10kA RMS

Other Specifications

Diversity Factor	1
Frequency	50/60 Hz
Other Characteristics	

Additional Requirements

Pollution Degree	3
Earthing Type	TN-S
Indoor or Outdoor	Indoor

D o c	MIDB-001-021
D e s c	Datasheet - Medical Imaging Distribution Boards
M o d e l	SL2-3250-WNNS-D
R e v	A
	15 May, 2026
	P
	1 of 3



Stationary or Movable	Stationary
Degree of Protection	IP42
Intended for Use	Skilled Persons
Electromagnetic Compatibility Classification	Environment B
Special Service Conditions	Maximum Ambient Air Temperature 35° C
External Design	Wall Mounted Surface Type
Mechanical Impact	IK10
Type of Construction	Fixed Parts
Protection Against Electric Shock	Enclosure openable by key or tool
Overall Dimensions	1,000mm high x 600mm wide x 200mm deep
Weight	55kg
Form of Internal Separation	2b
Types of Electrical Connections of Functional Units	FFF

Service Conditions

Ambient Air Temperature	Maximum 40°C Short Term Maximum 35°C Average over 24 hours Minimum -25°C
Maximum Altitude	2,000m
Overvoltage Category (IEC 60364-4-44:2007)	Category III

Short Circuit Protective Device

Mechanism	Protection Description
Schneider ComPacT NSX Moulded Case Circuit Breaker	Reflex (mechanical) tripping for high short-circuit currents, with a maximum break time of 10ms.
Micrologic 2.2, 160A	Adjustable short-time protection, 1.5-10xI _n , with fixed delay. Fixed instantaneous protection: cutoff current I _i = 2,400A

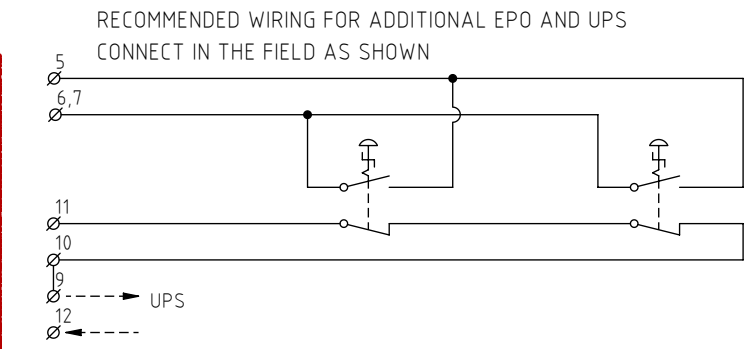
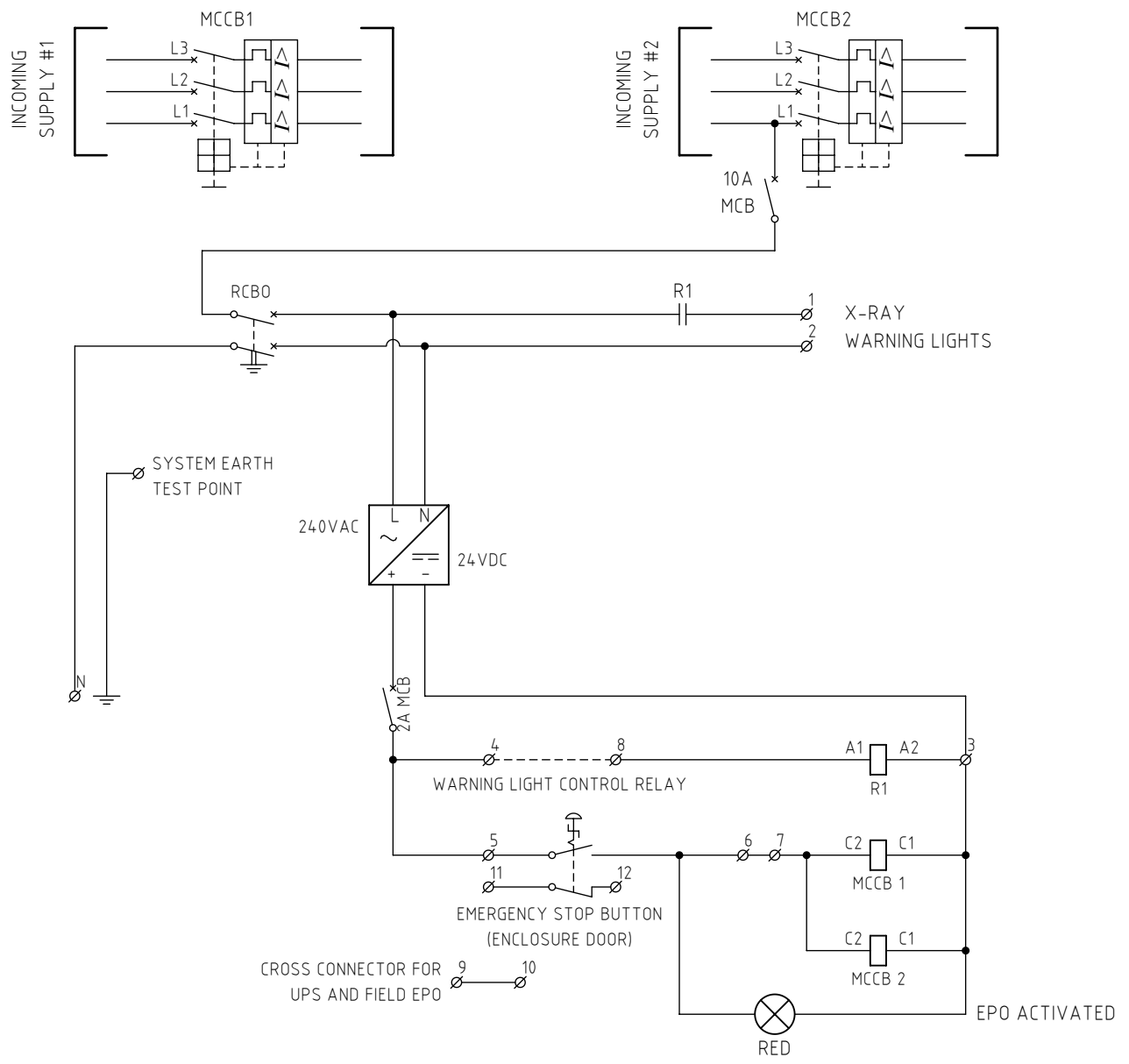
Morsen Pty Ltd. ABN 97 153 873 093
<https://www.morsen.com.au>
enquiries@morsen.com.au



Appendix A - Drawings

Medical Imaging Distribution Boards

Sheet 1	Electrical Schematic
Sheet 2	General Arrangement

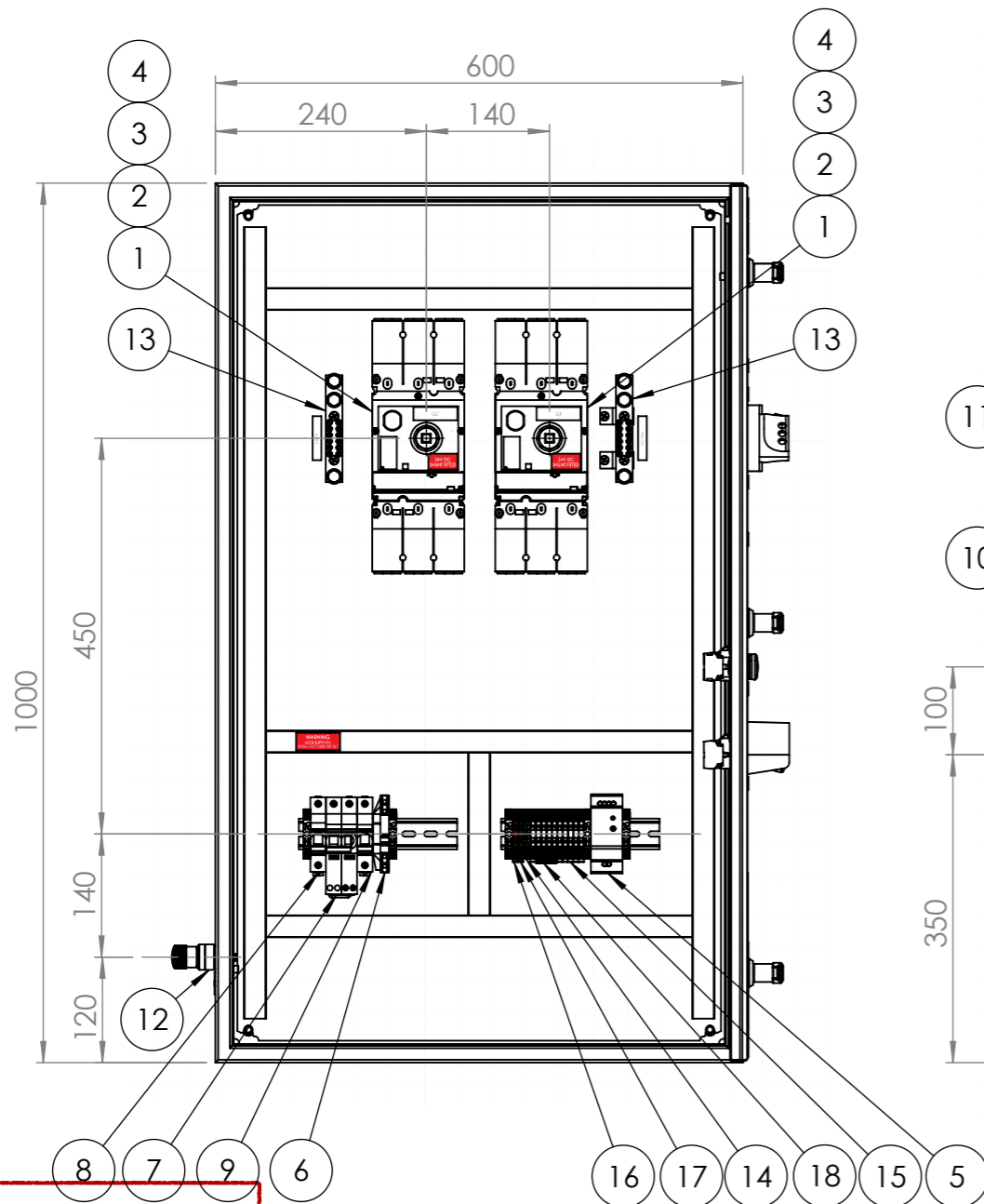


© 2026 Morsen

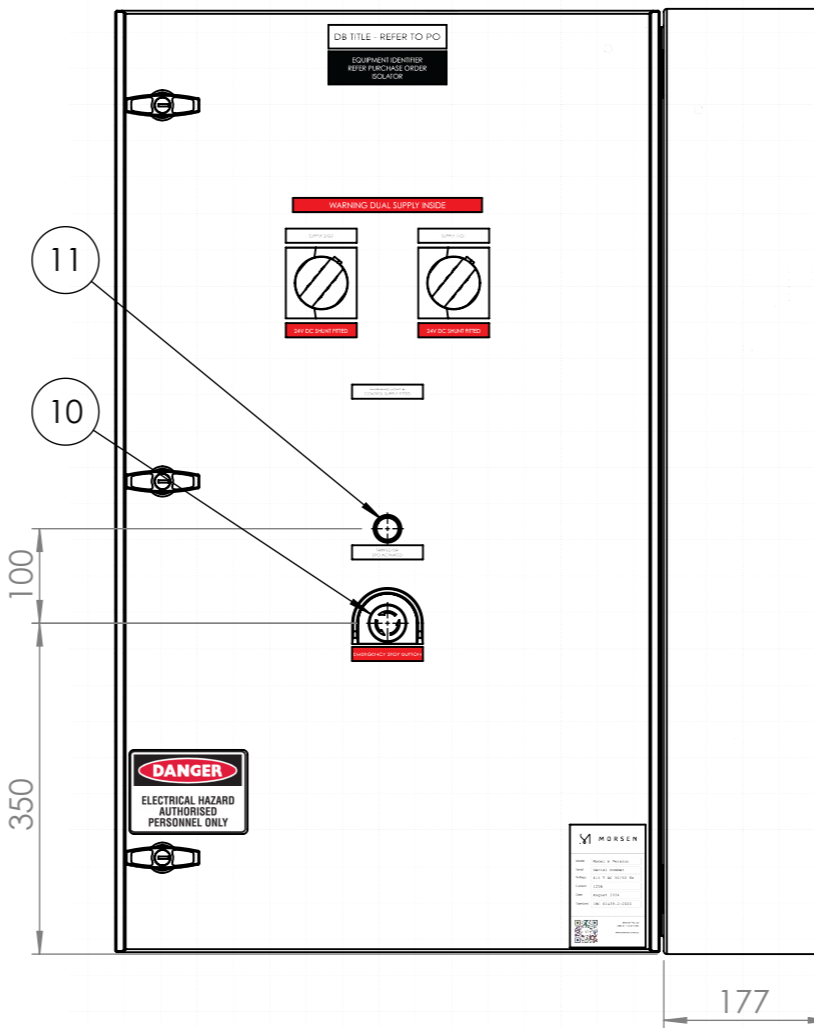
This drawing remains the property of Morsen Pty Ltd under the Copyright Act 1968 and may not be reproduced or distributed.

All rights are reserved

		© 2026 Morsen Pty Ltd. abn 97 153 873 093 This drawing remains the property of Morsen Pty Ltd under the Copyright Act 1968 and may not be reproduced or distributed. All rights are reserved.		TITLE: Medical Imaging Distribution Boards Single Compartment Dual Isolators Electrical Schematic	
www.morsen.com.au					
DRAWN	MW	15/05/2026	CHECKED	DvD	15/05/2026
DS-B	15/05/2026	Updated from PDF-Only Version		Model	Version
DS-A	4/03/2026	DATASHEET VERSION		SL2-3250-WNNS	D
REV	DATE	DESCRIPTION		SCALE:1:1 A4	Dwg Rev DS-B
				SHEET 1 OF 2	



FRONT VIEW



RIGHT VIEW

ITEM	NAME	DESCRIPTION	QTY.
1	3-Pole Circuit Breaker	ComPacT NSX160F, 3-Pole, 160A, 36kA/415VAC	2
2	3-Pole Trip Unit	Micrologic 2.2 160A Electronic Basic Protections	2
3	Shunt Trip	MX Series, 24VDC for ComPacT NSX100-250	2
4	Extended Rotary Handle Body	ComPact NSX 100/160/250, black handle, shaft length 185mm to 600mm, IP55	2
5	Power Supply 24V DC	PRO BAS Switched Mode 60W 24V 2.5A	1
6	Solid State Relay	Harmony 12A, Zero voltage switching, Input 200-265V AC, Output 24-280V AC	1
7	RCBO Acti9	Acti9, iC60H2 RCBO, 2P, 20A, 30mA, A type, 10000A	1
8	Miniature Circuit Breaker	Acti9, Acti9 iC60N Disbo, 1P, 10A, C curve, 10kA	1
9	Miniature Circuit Breaker	Acti9, Acti9 iC60N Disbo, 1P, 2A, C curve, 10kA	1
10	Emergency Stop Pushbutton	Mushroom Pushbutton 40mm Plastic Rotate to Unlatch	1
11	Indicator LED	22mm Round Plastic Red with holder, LED module, with integrated LED 24 V AC/DC screw terminal	1
12	Earth Stud	Medilec Equipotential	1
13	Earth Neutral Bar	6-Pole 165A	2
14	Protective Earth Terminal 6mm	Protective Earth, Standard feed-through, Screw connection, 6mm ² , 800V, 480A Short-Time Current, Green and Yellow	1
15	Terminal Block	Standard feed-through, Screw connection, 4mm ² , 32A 800V, Dark Beige	10
16	Terminal Block	Standard feed-through, Screw connection, 4mm ² , 32A 800V, Red	1
17	Terminal Block	Standard feed-through, Screw connection, 4mm ² , 32A 800V, Black	1
18	Terminal Cross Connector 2P	Plugged, orange, 32 A, 2 Poles, Insulated	2

© 2026 Morsen

This drawing remains the property of Morsen Pty Ltd under the Copyright Act 1968 and may not be reproduced or distributed.

All rights are reserved

NOTES
1. Dimensions for component positions are approximate and subject to change without notice

			© 2026 Morsen Pty Ltd. abn 97 153 873 093 This drawing remains the property of Morsen Pty Ltd under the Copyright Act 1968 and may not be reproduced or distributed. All rights are reserved.			TITLE: Medical Imaging Distribution Boards Single Compartment Dual Isolators General Arrangement		
www.morsen.com.au DRAWN MW 15/05/2026 CHECKED DvD 15/05/2026	Model SL2-3250-WNNS Version D		Dwg Rev DS-B		SCALE: 1:8 A3 SHEET 2 OF 2			
DS-B 15/05/2026 Updated from PDF-Only Version DS-A 4/03/2026 DATASHEET VERSION	REV DATE DESCRIPTION							