

# Product Datasheet

## Medical Imaging Distribution Boards

Model	SL2-3250-WNNS-E
Description	Split Chassis Distribution Board 2x125 Amp, 3 Pole MCCB With Warning Lights Circuit and Emergency Power Off
Trip Units	Siemens TM240
Energy Monitoring	No
Earth Leakage Protection (Main Circuit)	No

### Voltage Ratings

$U_n$ (Voltage)	415 V AC
$U_e$ (Operational Voltage)	415 V AC
$U_i$ (Insulation Voltage)	400 V AC
$U_{imp}$ (Impulse Withstand Voltage)	4 kV

### Current Ratings

$I_{nA}$ (Current)	250 A
$I_{nc}$ (Current – Main Circuit)	2x 125 A main circuits via individual MCCB
$I_{nc}$ (Current – Warning Lights Circuit)	16 A
$I_{pk}$ (Peak withstand)	NA
$I_{cw}$ (Short-time withstand)	NA
$I_{cc}$ (Conditional short-circuit current)	10kA RMS

### Other Specifications

Diversity Factor	1
Frequency	50/60 Hz
Other Characteristics	

### Additional Requirements

Pollution Degree	3
Earthing Type	TN-S

<b>D o c</b>	MIDB-001-023
<b>D e s c</b>	Datasheet - Medical Imaging Distribution Boards
<b>M o d e l</b>	SL2-3250-WNNS-E
<b>R e v</b>	A
	29 May, 2026
	P
	1 of 3

Indoor or Outdoor	Indoor
Stationary or Movable	Stationary
Degree of Protection	IP42
Intended for Use	Skilled Persons
Electromagnetic Compatibility Classification	Environment B
Special Service Conditions	Maximum Ambient Air Temperature 35° C
External Design	Wall Mounted Surface Type
Mechanical Impact	IK10
Type of Construction	Fixed Parts
Protection Against Electric Shock	Enclosure openable by key or tool
Overall Dimensions	1,200mm high x 580mm wide x 235mm deep
Weight	65kg
Form of Internal Separation	2b
Types of Electrical Connections of Functional Units	FFF

## Service Conditions

Ambient Air Temperature	Maximum 40°C Short Term Maximum 35°C Average over 24 hours Minimum -25°C
Maximum Altitude	2,000m
Overvoltage Category (IEC 60364-4-44:2007)	Category III

## Short Circuit Protective Device

Mechanism	Protection Description
Siemens TM240	36kA Breaking Capacity at 415V

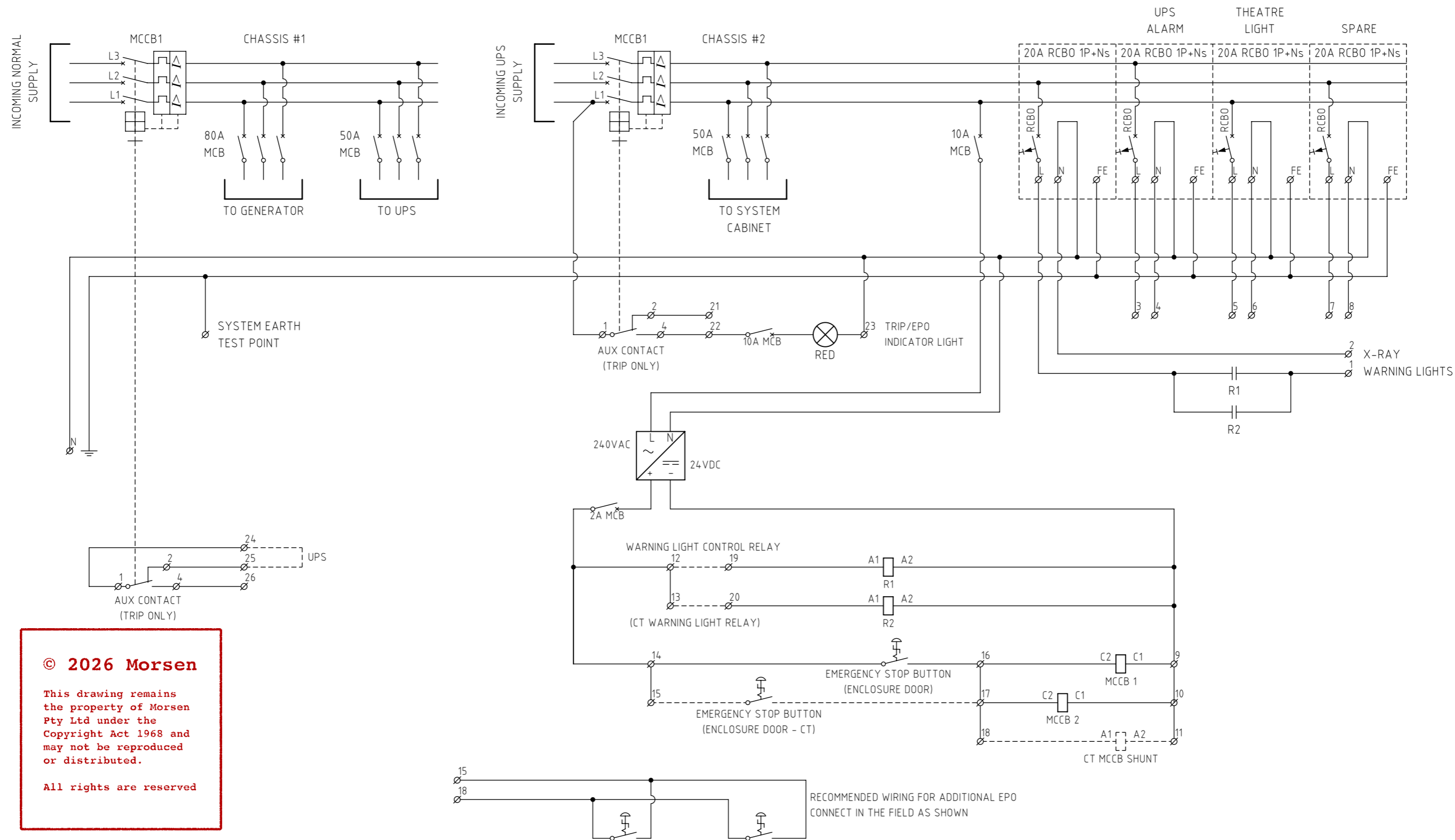
Morsen Pty Ltd. ABN 97 153 873 093  
<https://www.morsen.com.au>  
[enquiries@morsen.com.au](mailto:enquiries@morsen.com.au)



# Appendix A - Drawings

## Medical Imaging Distribution Boards

Sheet 1	Electrical Schematic
Sheet 2	General Arrangement
Sheet 3	Additional Views

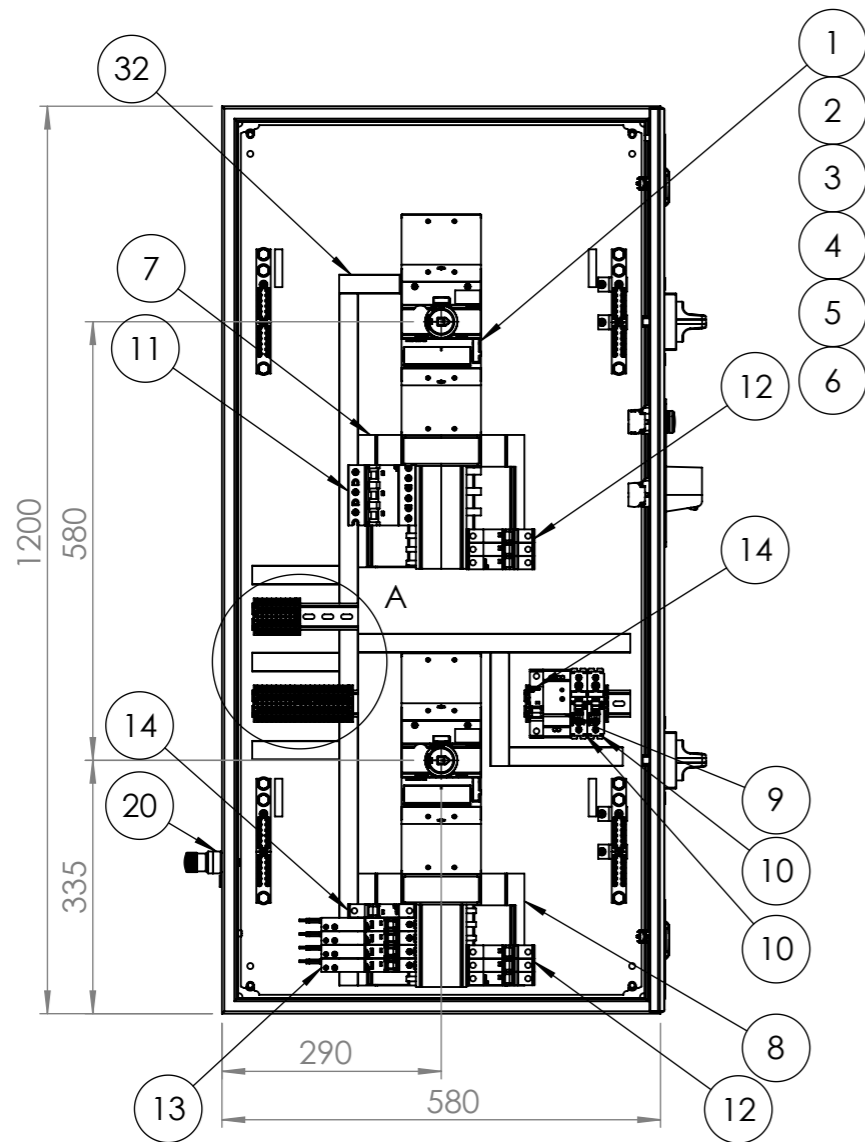


**© 2026 Morsen**

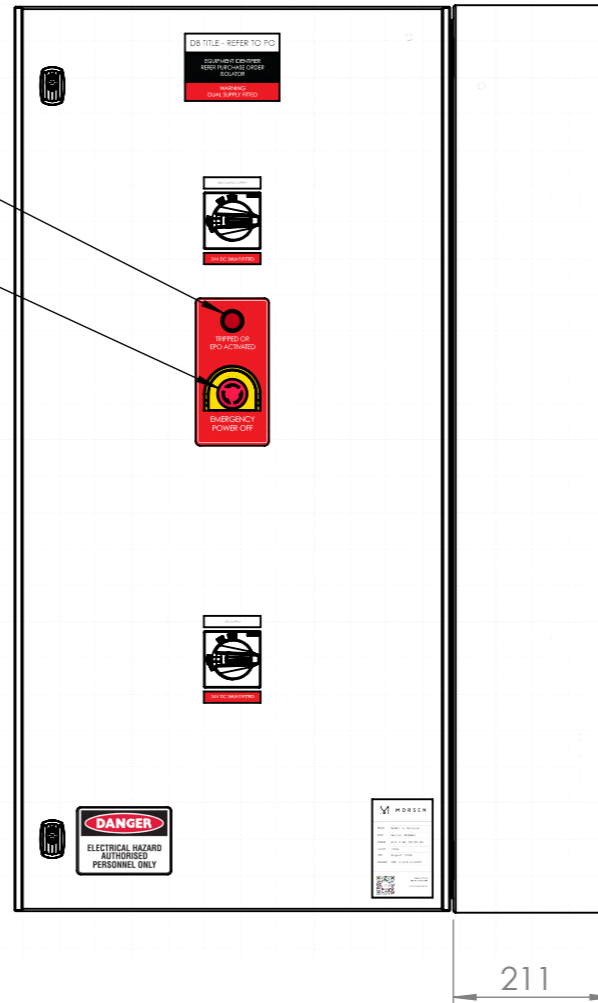
This drawing remains the property of Morsen Pty Ltd under the Copyright Act 1968 and may not be reproduced or distributed.

All rights are reserved

		© 2026 Morsen Pty Ltd. abn 97 153 873 093 This drawing remains the property of Morsen Pty Ltd under the Copyright Act 1968 and may not be reproduced or distributed. All rights are reserved.		<b>TITLE: Medical Imaging Distribution Boards</b> <b>Single Compartment Dual Isolators</b> <b>Electrical Schematic</b>	
www.morsen.com.au	DRAWN MW 29/05/2026	CHECKED DvD 29/05/2026	Model SL2-3250-WNNS	Version E	Dwg Rev DS-A
DS-A 29/05/2026 DATASHEET VERSION	SCALE:1:1 A3				SHEET 1 OF 3
<b>REV</b>	<b>DATE</b>	<b>DESCRIPTION</b>			



FRONT VIEW



RIGHT SIDE

ITEM	NAME	DESCRIPTION	QTY
1	MCCB 3VA12	3VA1 IEC Frame Class S Icu=36 kA @ 415 V 3-pole, Line Protection TM240, ATAM, In=160 A Ir=112-160A	2
2	Shunt Trip Left	24 V AC 50/60 Hz / 24-30 V DC For 3VA1 and 3VA20-26	2
3	Trip Alarm Switch	Changeover Contacts Type HQ (7 mm) For 3VA1 and 3VA20-26	2
4	Rotary Handle 3VA9257	Door Mounted Rigid With Door Interlock Accessory For 3VA12 IEC IP65 with door interlock accessory for: 3VA12	2
5	Front Bus Connector 3VA12 3P	For 3VA12	2
6	Extended Terminals Cover 250A 3P	3-Pole For 3VA12	4
7	Chassis	Hybrid, 27mm x 6 Poles, 18mm x 6 Poles	1
8	Chassis	18mm x 12 Poles	1
9	Power Supply 24 V DC	PRO BAS Switched Mode 60W 24V 2.5A DC	1
10	Solid State Contactor 3RF33	1-pole 3RF3 AC-1 / 20 A 24 VDC screw terminal	2
11	MCB 5SP 3P	400 V 10kA, 3-pole, C, 80 A	1
12	MCB 5SY 3P	400 V 10kA, 3-pole, C, 50 A	2
13	RCBO 1P+N	10 kA, 1P+N, type A, 30 mA, C-Char, In: 20 A, Un AC: 230 V, pigtail 600 mm, solid N	4
14	Miniature Circuit Breaker	230/400 V 10kA 1P C 10A	2
15	Emergency Stop Pushbutton	Mushroom Pushbutton 40mm Plastic Rotate to Unlatch	1
19	Indicator LED	22mm Round Plastic Red with holder, LED module, with integrated LED 230 V AC screw terminal	1
20	Earth Stud	Medilec Equipotential	1
21	Earth Neutral Bar 12-Pole	12-Pole 165A	4
23	Screw Terminal PE 6mm	PE Terminal 6mm Green and Yellow	1
24	Screw Terminal 4mm	Through Terminal 4mm Red	4
25	Screw Terminal 4mm	Through Terminal 4mm Black	4
26	Screw Terminal 4mm	Through Terminal 4mm Gray	19

NOTES

1. Dimensions for component positions are approximate and subject to change without notice

© 2026 Morsen

This drawing remains the property of Morsen Pty Ltd under the Copyright Act 1968 and may not be reproduced or distributed.

All rights are reserved



© 2026 Morsen Pty Ltd. abn 97 153 873 093  
This drawing remains the property of Morsen Pty Ltd under the Copyright Act 1968 and may not be reproduced or distributed. All rights are reserved.

www.morsen.com.au

DRAWN MW 29/05/2026 CHECKED DvD 29/05/2026

DS-A 29/05/2026 DATASHEET VERSION

REV DATE DESCRIPTION

TITLE: Medical Imaging Distribution Boards  
Single Compartment Dual Isolators  
General Arrangement

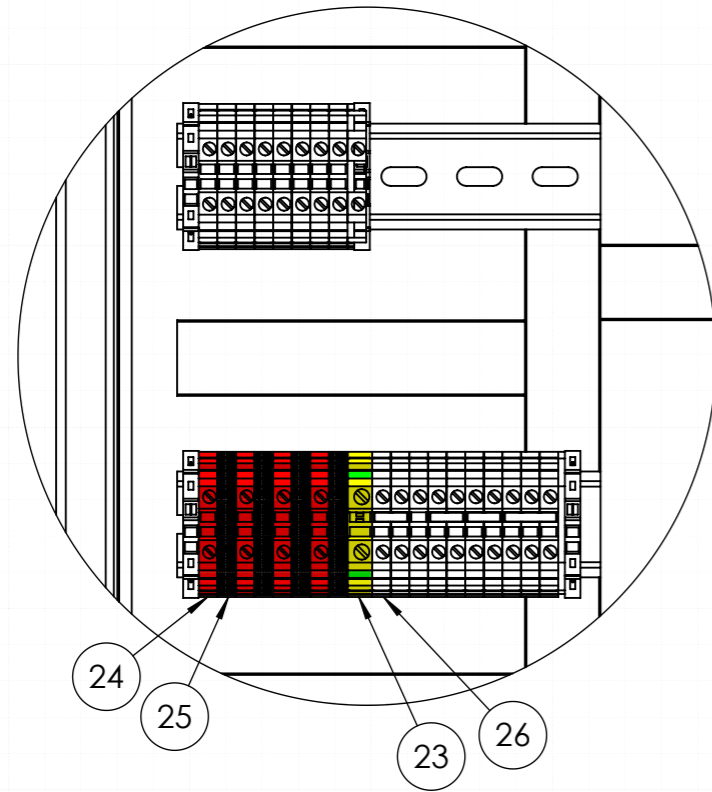
Model SL2-3250-WNNS

Version E

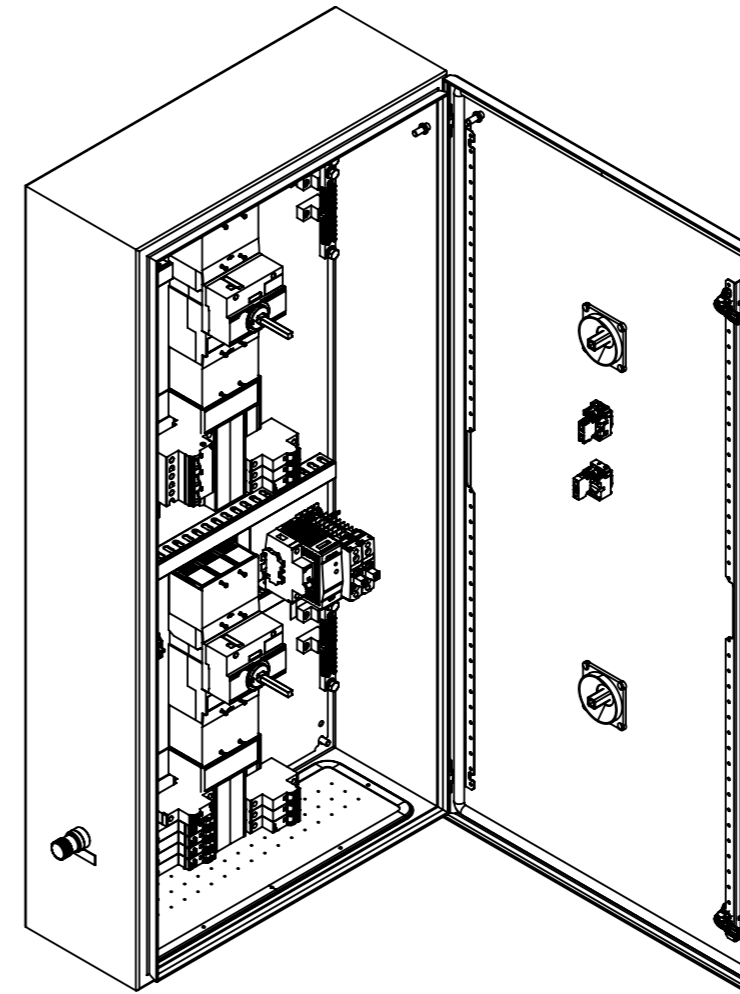
Dwg Rev DS-A

SCALE:1:10 A3

SHEET 2 OF 3



DETAIL A  
SCALE 2 : 5



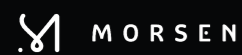
## ISOMETRIC VIEW

Left-Handed Door

© 2026 Morsen

This drawing remains the property of Morsen Pty Ltd under the Copyright Act 1968 and may not be reproduced or distributed.

All rights are reserved



© 2026 Morsen Pty Ltd. abn 97 153 873 093  
This drawing remains the property of Morsen Pty Ltd under the Copyright Act 1968 and may not be reproduced or distributed. All rights are reserved.

[www.morsen.com.au](http://www.morsen.com.au)

DRAWN	MW	29/05/2026	CHECKED	DvD	29/05/2026
-------	----	------------	---------	-----	------------

DS-A	29/05/2026	DATASHEET VERSION
------	------------	-------------------

REV	DATE	DESCRIPTION
-----	------	-------------

TITLE: Medical Imaging Distribution Boards  
Single Compartment Dual Isolators  
Additional Views

Model  
SL2-3250-WNNS

Version  
E

Dwg Rev  
DS-A

SCALE:1:10 A3

SHEET 3 OF 3