

# Product Datasheet

## Medical Imaging Distribution Boards

Model	SL1-3125-NNNS-A
Description	125 Amps, 3 Poles, with Emergency Power Off
Trip Unit	Siemens TM240
Energy Monitoring	No
Earth Leakage Protection (Main Circuit)	No

### Voltage Ratings

$U_n$ (Voltage)	415 V AC
$U_e$ (Operational Voltage)	415 V AC
$U_i$ (Insulation Voltage)	400 V AC
$U_{imp}$ (Impulse Withstand Voltage)	4 kV

### Current Ratings

$I_{nA}$ (Current)	125 A
$I_{nc}$ (Current – Main Circuit)	125 A
$I_{nc}$ (Current – Warning Lights Circuit)	16 A
$I_{pk}$ (Peak withstand)	NA
$I_{cw}$ (Short-time withstand)	NA
$I_{cc}$ (Conditional short-circuit current)	10kA RMS

### Other Specifications

Diversity Factor	1
Frequency	50/60 Hz
Other Characteristics	

### Additional Requirements

Pollution Degree	3
Earthing Type	TN-S
Indoor or Outdoor	Indoor
Stationary or Movable	Stationary
Degree of Protection	IP55

<b>D o c</b>	MIDB-001-024
<b>D e s c</b>	Datasheet - Medical Imaging Distribution Boards
<b>M o d e l</b>	SL1-3125-NNNS-a
<b>R e v</b>	A
	29 May, 2026
	P
	1 of 3

Intended for Use	Skilled Persons
Electromagnetic Compatibility Classification	Environment B
Special Service Conditions	Maximum Ambient Air Temperature 35° C
External Design	Wall Mounted Surface Type
Mechanical Impact	IK10
Type of Construction	Fixed Parts
Protection Against Electric Shock	Enclosure openable by key or tool
Overall Dimensions	500 high x 500 wide x 200 deep
Weight	22kg
Form of Internal Separation	Form 1
Types of Electrical Connections of Functional Units	FFF

## Service Conditions

Ambient Air Temperature	Maximum 40°C Short Term Maximum 35°C Average over 24 hours Minimum -25°C
Maximum Altitude	2,000m
Overvoltage Category (IEC 60364-4-44:2007)	Category III

## Short Circuit Protective Device

Mechanism	Protection Description
Siemens TM240	36kA Breaking capacity at 415V

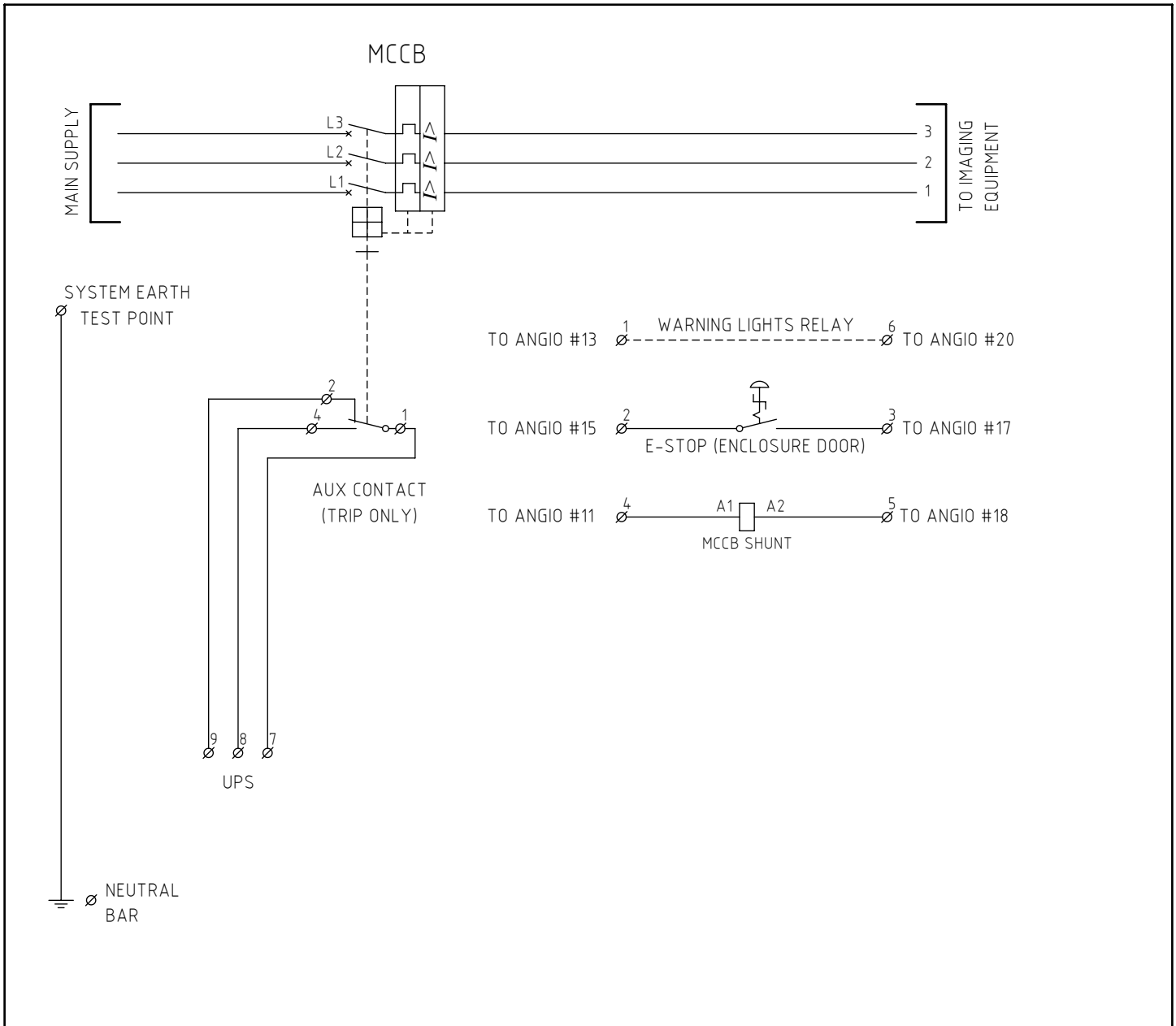
Morsen Pty Ltd. ABN 97 153 873 093  
<https://www.morsen.com.au>  
[enquiries@morsen.com.au](mailto:enquiries@morsen.com.au)



# Appendix A - Drawings

## Medical Imaging Distribution Boards

Sheet 1	Electrical Schematic
Sheet 2	General Arrangement
Sheet 3	Additional Views

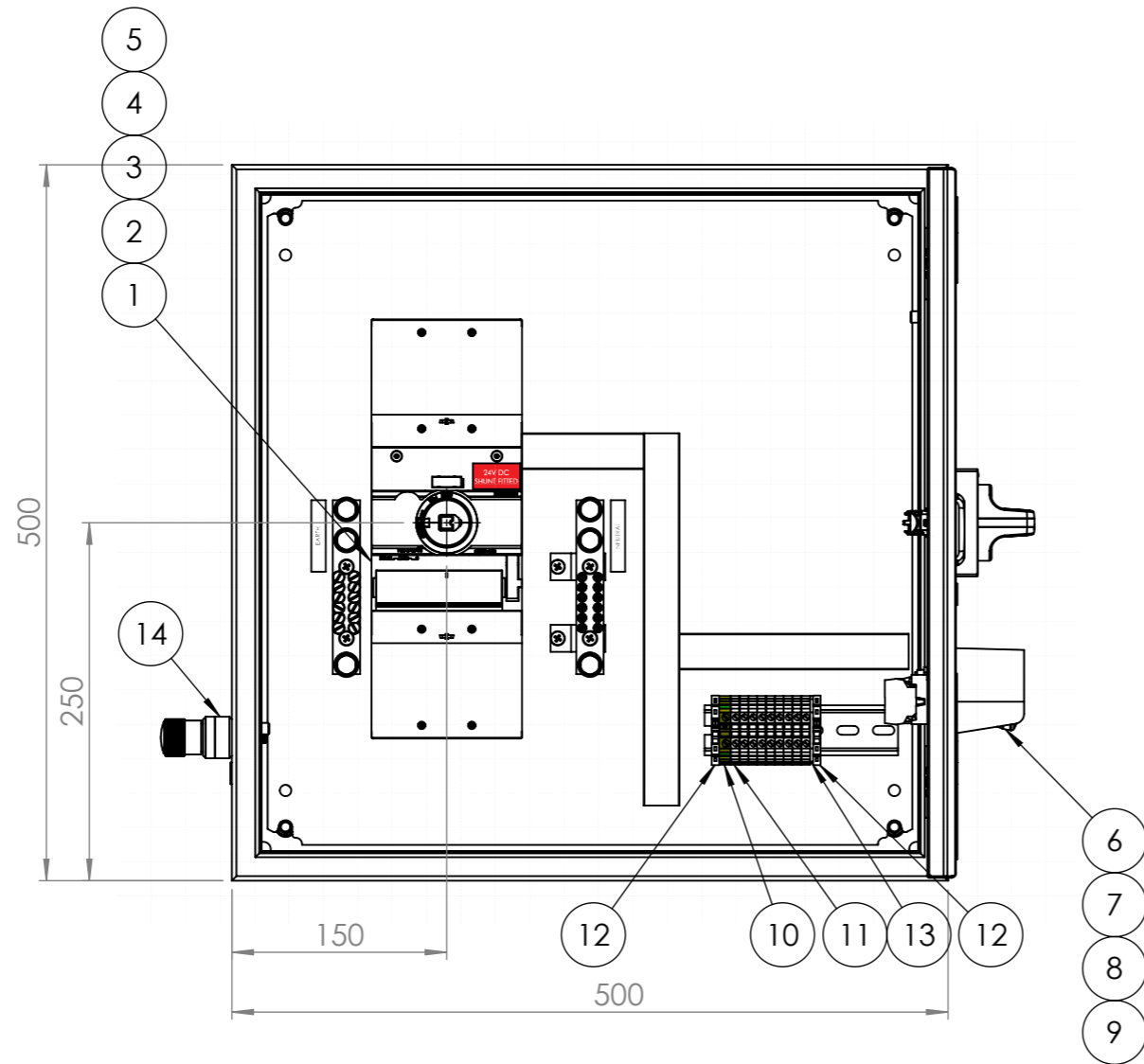


**© 2026 Morsen**

This drawing remains the property of Morsen Pty Ltd under the Copyright Act 1968 and may not be reproduced or distributed.

All rights are reserved

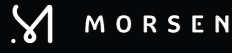
<b>MORSEN</b>		© 2026 Morsen Pty Ltd. abn 97 153 873 093 This drawing remains the property of Morsen Pty Ltd under the Copyright Act 1968 and may not be reproduced or distributed. All rights are reserved.		TITLE: Medical Imaging Distribution Boards Single Compartment One Isolator Electrical Schematic	
<a href="http://www.morsen.com.au">www.morsen.com.au</a>					
DRAWN	MW	29/05/2026	CHECKED	DvD	29/05/2026
A	29/05/2026	DATASHEET VERSION			
REV	DATE	DESCRIPTION			SCALE:1:1 A4
				Model <b>SL1-3125-NNNS</b>	Version <b>A</b>
				Dwg Rev <b>DS-A</b>	
				SHEET 1 OF 3	

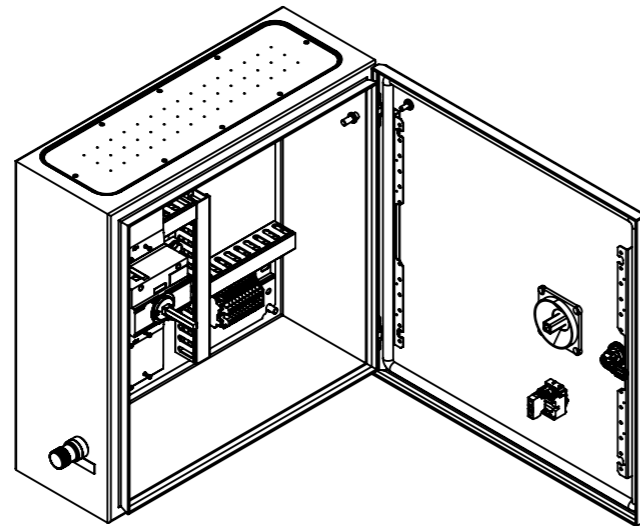


ITEM	NAME	DESCRIPTION	QTY
1	MCCB 3VA12	3VA1 IEC Frame Class S Icu=36 kA @ 415 V 3-pole, Line Protection TM240, ATAM, In=160 A Ir=112-160A	1
2	Shunt Trip Left	24 V AC 50/60 Hz / 24-30 V DC For 3VA1 and 3VA20-26	1
3	Trip Alarm Switch	Changeover Contacts Type HQ (7 mm) For 3VA1 and 3VA20-26	1
4	Rotary Handle 3VA9257	Door Mounted Rigid With Door Interlock Accessory For 3VA12 IEC IP65 with door interlock accessory for: 3VA12	1
5	Extended Terminals Cover 250A 3P	3-Pole For 3VA12	2
6	Emergency Stop Pushbutton	Mushroom Pushbutton 40mm Plastic Rotate to Unlatch	1
7	E-Stop Universal Holder	Universal Holder for E-Stop Pushbutton	1
8	E-Stop NO Contact	NO Contac for E-Stop, Screw Terminals	1
9	E-Stop Protective Collar	Yellow, Plastic	1
10	Screw Terminal PE 6mm	PE Terminal 6mm Green and Yellow	1
11	Screw Terminal 4mm	Through Terminal 4mm Gray	9
12	Terminal End Retainer	Quick Fit End Retainer	2
13	Terminal Cover	Gray for Terminals 2.5-10mm	1
14	Earth Stud	Medilec Equipotential	1
15	Earth Neutral Bar	6-Pole 165A	1

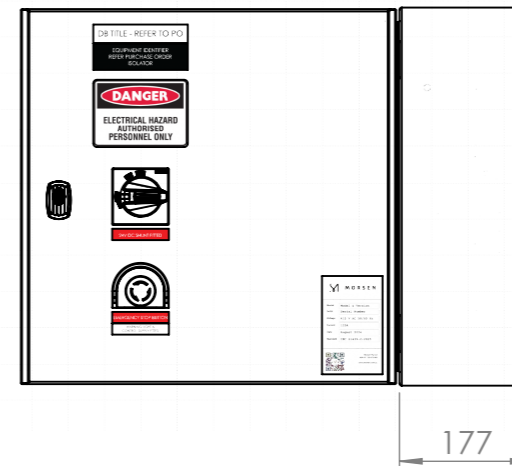
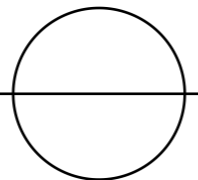
FRONT VIEW 

© 2026 Morsen  
 This drawing remains the property of Morsen Pty Ltd under the Copyright Act 1968 and may not be reproduced or distributed.  
 All rights are reserved

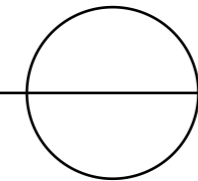
		© 2026 Morsen Pty Ltd. abn 97 153 873 093 This drawing remains the property of Morsen Pty Ltd under the Copyright Act 1968 and may not be reproduced or distributed. All rights are reserved.		TITLE: Medical Imaging Distribution Boards Single Compartment One Isolator General Arrangement	
www.morsen.com.au					
DRAWN MW 29/05/2026 CHECKED DvD 29/05/2026					
Model SL1-3125-NNNS Version A					Dwg Rev DS-A
REV A 29/05/2026 DATASHEET VERSION					
SCALE: 1:5 A3					SHEET 2 OF 3



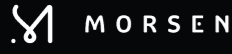
ISOMETRIC  
Left-Handed Door



RIGHT VIEW



**© 2026 Morsen**  
This drawing remains the property of Morsen Pty Ltd under the Copyright Act 1968 and may not be reproduced or distributed.  
All rights are reserved

		© 2026 Morsen Pty Ltd. abn 97 153 873 093 This drawing remains the property of Morsen Pty Ltd under the Copyright Act 1968 and may not be reproduced or distributed. All rights are reserved.			TITLE: Medical Imaging Distribution Boards Single Compartment One Isolator Additional Views	
<a href="http://www.morsen.com.au">www.morsen.com.au</a>						
DRAWN	MW	29/05/2026	CHECKED	DvD	29/05/2026	
Model	SL1-3125-NNNS		Version	A		
Model	SL1-3125-NNNS		Version	A		
REV	DATE	DESCRIPTION				Dwg Rev
A	29/05/2026	DATASHEET VERSION				DS-A
SCALE:1:10 A3			SHEET 3 OF 3			